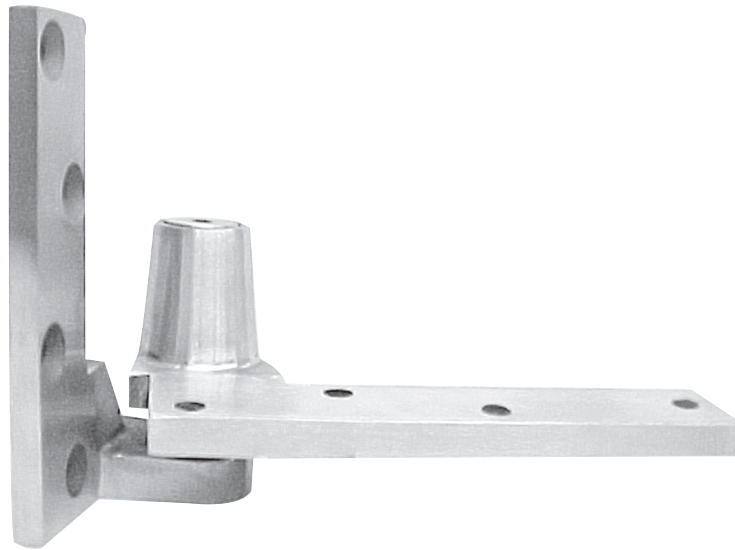


# 0195



- For interior or exterior doors up to 4'0" x 8'0"
- Weight to 450 lbs.
- **0180 top pivot included**
- 019 intermediate pivot required
- Bottom pivot mortised into side jamb
- 3/16" vertical arm adjustment after installation
- BHMA/ANSI C07131/3530A (modified)

