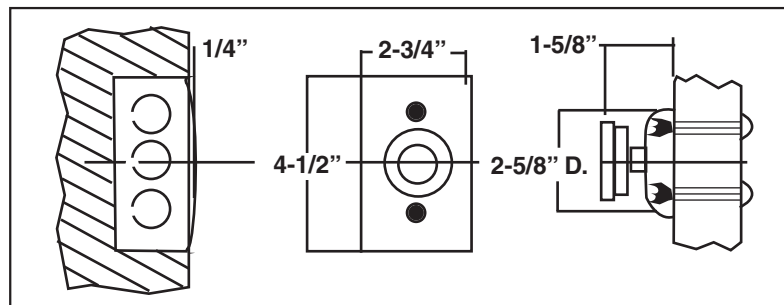


2400 FLUSH WALL MOUNTED



- 30-45 pound holding power
- Underwriters US and Canada Listed
California State Fire Marshal Listed
New York City MEA
ANSI/BHMA 156.15
- Most models available in US28, sprayed finishes and US32D
- Easy wire installation with quick insert connector



BHMA
C00011

www.abhmfg.com
E-mail: abhinfo@abhmfg.com
Architectural Builders Hardware Mfg., Inc.
1222 Ardmore Ave., Itasca, IL 60143
630.875.9900; FAX 800.9FAXABH (932.9224)

© 2007 ABH Mfg., Inc.

ABH[®]