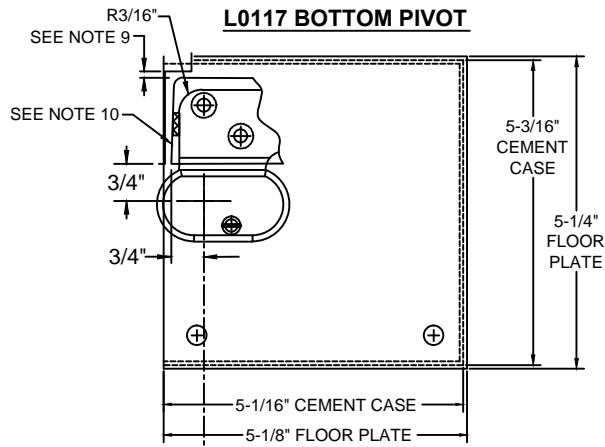
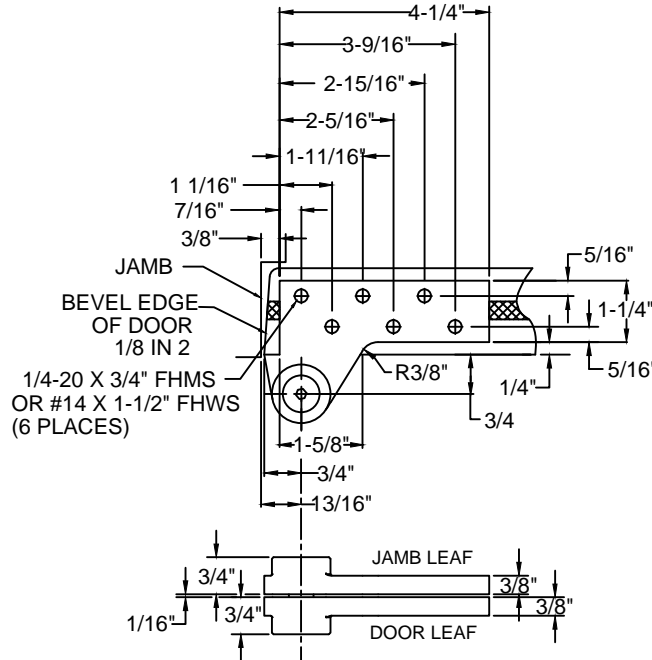


L0117 PIVOT SET $\frac{3}{4}$ " OFFSET FOR $1\frac{3}{4}$ " LEAD LINED DOORS

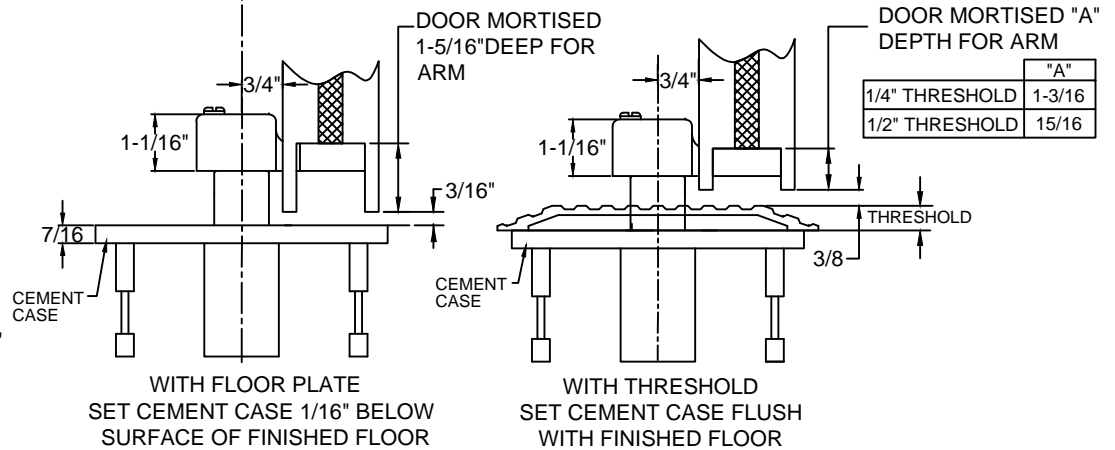
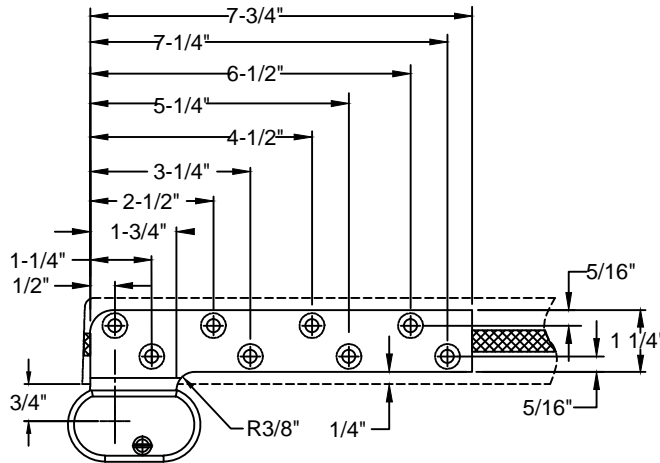
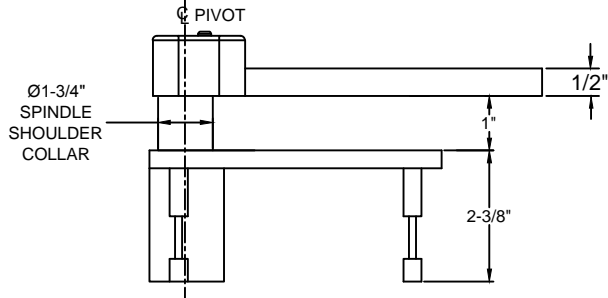


L0180 TOP PIVOT



NOTES:

- DO NOT SCALE DRAWING.
- RIGHT HAND SHOWN.
- SUITABLE REINFORCEMENT BY OTHER.
- MAXIMUM DEGREE OF OPENING 180°, TRIM PERMITTING.
- ARM DRILLED TO RECEIVED 1/4-20 X 1" FHMS OR #14 X 2" FHWS.
- FOR WOOD DOORS, PREFILL ARM AND TOP PIVOT HOLES TO PREVENT SPLITTING.
- IF VERTICAL ADJUSTMENT IS REQUIRED, TOW (2) 1/16" SHIMS ARE PROVIDED. PLACED SHIMS BETWEEN ARM AND PIVOT PIN COLLAR.
- CENTERLINE OF TOP PIVOT PIN MUST BE PLUM AND STRAIGHT WITH BOTTOM PIVOT.
- 1/8" MIN. CLEARANCE BETWEEN DOOR AND FRAME.
- BEVEL EDGE OF DOOR 1/8" IN 2"
- LEAD LINING BY OTHERS.
- IT IS THE DOOR AND FRAME MANUFACTURERS RESPONSIBILITY TO CHECK THE HARDWARE SCHEDULE AND PREP THE DOORS AND FRAMES.
- ALL DIMENSIONS ARE IN INCHES.



www.abhmfg.com
 E-mail: abhinfo@abhmfg.com
 Architectural Builders Hardware Mfg., Inc.
 1222 Ardmore Ave., Itasca, IL 60143
 630.875.9900; FAX 800.9FAXABH (932.9224)

© 2015 ABH Mfg., Inc.
 printed in USA

L0117-1-01.DWG

L0117

ISSUED 04-15-15