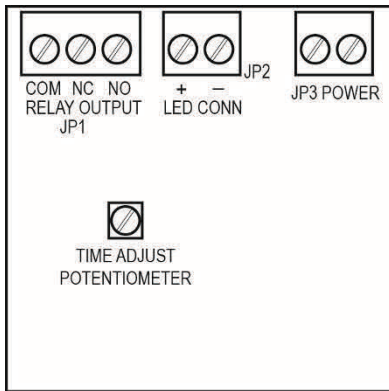


INSTALLATION INSTRUCTIONS
MODELS TS-2T, TS-3T, TS-4T, TS-5T
UL FILE SA32686



Mount Wallplate in a Vertical Position
in a 1.5 inch deep Electrical Box

TERMINAL BLOCK WIRING (ALL MODELS)

Terminals	Designation	Notes
JP3 Power	Input Power	12 to 24 Volts AC or DC 60 mA maximum
JP1 (COM)	Common Contact	Timed Contacts rated 2A @ 35VDC
JP1 (NC)	N/C Contact	
JP1 (NO)	N/O Contact	
JP2 (+)	Positive Voltage Terminal for Pushbutton LED Illumination	LED Current Draw - 12 VDC @ 7mA 24 VDC @ 18mA
JP2 (-)	Negative Voltage Terminal for Pushbutton LED Illumination	

TS-3T, TS-5T PLATE LED WIRING

Colored Lead	Designation	Notes
Red	+24V Positive Input Power Lead	LED Current Draw - 12 VDC @ 9mA 24 VDC @ 19mA
White	+12V Positive Input Power Lead	
Black	Negative Input Power Lead	

Time Adjustment -

Turn pot clockwise for maximum time (45 seconds).

Turn pot counter-clockwise for minimum time (2 seconds).

Note: Timer activates when button is depressed. Subsequent depression will re-start the timer.



Alarm Controls
19 Brandywine Drive
Deer Park, New York 11729
(800) 645-5538
www.alarmcontrols.com

ASSA ABLOY, the global leader
in door opening solutions