

7700 Powered Door Operator

Classic Product

The Arrow 7700 Series offers functionality and control at an affordable price. Ideal for retrofit applications, the 7700 Series converts interior, non-fire rated doors for ADA compliance easily and affordably while providing a simple way to achieve touchless environments in public restrooms. Furnished standard with a track assembly, the pull-side mounted unit can be operated manually or activated by wall switches, or radio frequency devices. Easy to install, set-up and adjust, the 7700 Series is perfect for ADA-compliant offices, classrooms and dorm rooms, and touch free applications like public restrooms, labs and examination rooms.



An optional plug in power cord model can be ordered. Plug in plate will be installed to the 7700 series by the factory.

Introducing the Arrow 7710P and 7710PRF1 Series Door Operator with an Optional Plug-in Power Cord!

Compliance:

- * ETL Certified
- * Meets the requirements of ANSI/U.L. standard 325 for automatic closing doors
- * Meets the requirements of ANSI/BHMA standard A117.1
- * Meets ADA requirements (Americans with Disabilities Act)



Look for the universal symbol next to Arrow products that comply with ADA accessibility requirements.

Features:

- Pull side mounting
- Non-handed
- Quiet operation
- Electrically controlled backcheck, sweep and latch
- Activation options: wall switches, radio frequency devices
- Ease of installation and set-up
- On/Off Switch
- Hold open options: 0-30 seconds (5 seconds minimum required for ADA and ANSI/BHMA A156.19)
- Onboard 24VDC (1.1A) power supply for accessories
- Door closer mode for manual usage
- Electronic motor dampening
 - provides feel of normal, manual door closer
- Electric hardware and access control interface
- Optional AC power cord
- Push & Go
 - As the door is manually opened, the operator “senses” movement and opens door to the full-open position.

- Obstruction Detection
 - Motor stops if door is obstructed during opening
- Motor Start Delay
 - 0-5 second delay to allowing locking hardware to release first
- Overload Safety Shut-Off
 - After two minutes of receiving a door activation signal, the inverter will time out and close the door
 - Prevents motor/inverter damage
- Power Input; 120 VAC, 60Hz
- Current Draw: .6A
- Relay Output: SPDT
 - Normally Open/Normally Closed (jumper)
 - For electric strike function
- 1-year warranty

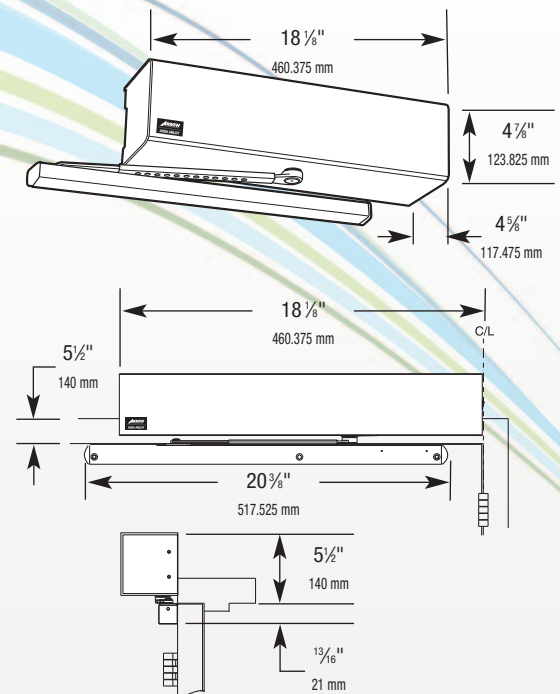
Finishes:

- Aluminum (689), Specify AL
- Dark Bronze (690), Specify DB

Arrow is pleased to announce the addition of the 7700 series powered door operator to its product line. The 7700 series requires hard wired installation with standard electric power. An optional plug in power cord model can be ordered (factory installed only) and will simply plug into a code compliant 120 VAC power receptacle.

Radio frequency can also be ordered as an additional feature for convenience. See the parts reference chart and ordering requirements for more information.

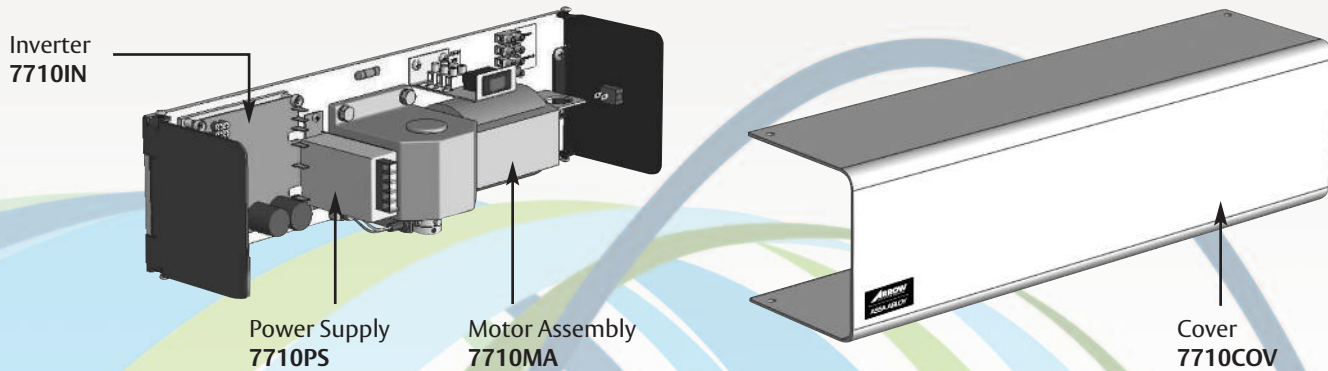
Pull/Hinge Side



7700 Powered Door Operator

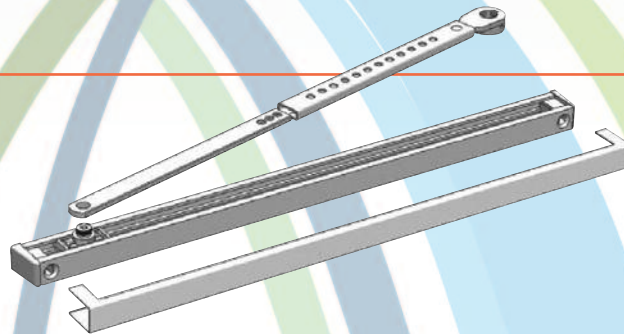
Classic Product

Internal Components & Mechanism:



Parts & Accessories:

7710-1 – Arm and Track Assembly



7800SW2,
7800SW3



7800SW1,
7800SW4

Push Door Switches

- 6" width x 6" height
- 9 volt battery
- 15 amp @ 125VAC
- Flush or surface mounted
- Stainless steel with blue letters
- 7800SW1, 7800SW2 Radio frequency (433MHz). Used with RF1 option and 7710RK Radio Frequency Kit.
- 7800SW1, 7800SW2 – hard wired*

* Switches may also be installed with single or double gang electrical box using fasteners included.



7710SW5

Touchless Wall Switch

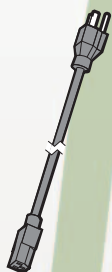
- Single gang and double gang
- Doppler radar
- Sensor requires movement for activation
- Variable relay-hold time from 1 to 10 seconds
- Range of 2" to 24" – field adjustable
- 2-3/4" (Single); 4-1/2" (Double) w x 4-1/2" h.



7710RK

Radio Frequency Receiver

- Radio Frequency Receiver (433 MHz)
- Activation switches not included.



7710PC

Replacement Power Cord

18" power cord. This replacement can be ordered if the original is lost or damaged.

7700 Powered Door Operator

Classic Product

How to order the 7700 Series

Ordering Example:

Quantity	Part Number	Finish
20	7710	• AL

7700 Series Powered Door Operator

Mount Application	Radio Frequency	1 Touchless Wall Switch	Part Number
Hinge (Pull) Side of Door		✓	7710.AL
Hinge (Pull) Side of Door		✓	7710.DBZ
Hinge (Pull) Side of Door with Radio Frequency	✓	✓	7710RF1.AL
Hinge (Pull) Side of Door with Radio Frequency	✓	✓	7710RF2.DBZ
Hinge (Pull) Side of Door with Power Cord		✓	7710PC.AL
Hinge (Pull) Side of Door with Power Cord		✓	7710PC.DBZ
Hinge (Pull) Side of Door with Radio Frequency & Power Cord	✓	✓	7710PRF1.AL
Hinge (Pull) Side of Door with Radio Frequency & Power Cord	✓	✓	7710PRF2.DBZ

Accessories

Description	Radio Frequency	Switch Displays Handicap Icon	Part Number
Door Switch – 6" x 6", Radio Frequency, ADA Symbol	✓	✓	7800SW2
SPDT Door Switch – 6" x 6", Hard Wired			7800SW4
Door Switch – 6" x 6", Radio Frequency	✓		7800SW1
SPDT Door Switch – 6" x 6", Hard Wired, ADA Symbol		✓	7800SW3
Touchless Wall Switch			7710SW5
Radio Frequency (RF1) Kit	✓		7710RK

Parts

Description	Part Number
Power Cord	7710PC
Inverter	7710IN
Cover	7710COV.AL/DBZ
Screw Pack	77107710SP
Arm and Track Assembly	7710-1.AL/DBZ
Power Supply	7710PS

Complete Units, Specify Finish AL or DBZ.