

300 MHz SERIES

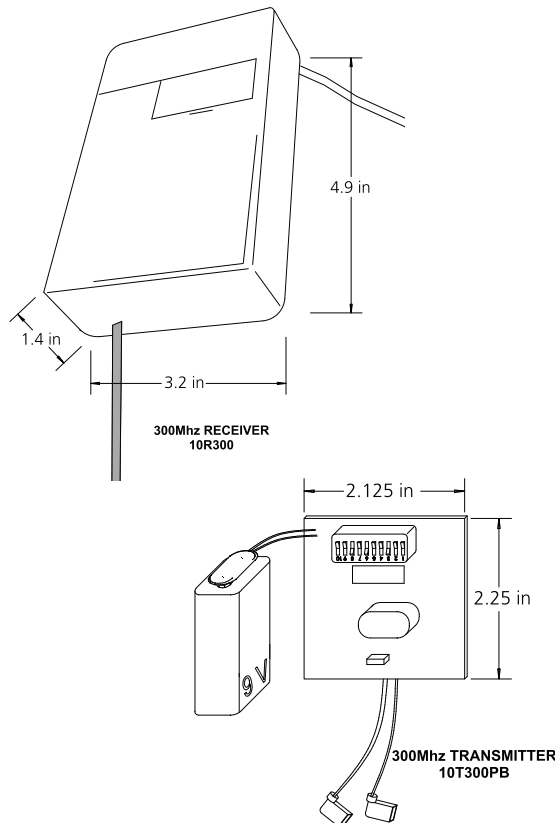
300 MHz WIRELESS TRANSMITTERS AND RECEIVER



TECHNICAL SPECIFICATIONS

Frequency	300 MHz
Radio Control Type	Analog
Emitted Radio Power	N/A
Power Consumption	N/A
Input Voltage	24 V AC/DC
Operating Temperature	+14°F to +131°F
Setup	10 position access code dip switch
Power	Hardwired: 1 9-volt or 12-volt battery Wireless: 1 9-volt or 12-volt battery
Capacity	7 transmitters
Norm Conformance	CE, FCC, IC
Receiver Dimensions (LxWxH)	
Without Flange	4.9 in x 3.2 in x 1.4 in
With Flange	5.4 in x 3.2 in x 1.4 in

DIMENSIONAL DRAWINGS



SERIES BREAKDOWN



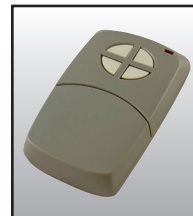
10R300
300 MHz
ANALOG RECEIVER



10T300HH
1-BUTTON HANDHELD
TRANSMITTER



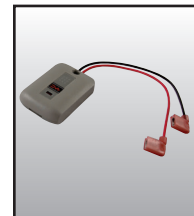
10T300HHDBL
2-BUTTON HANDHELD
TRANSMITTER



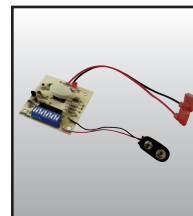
10T300HH4
4-BUTTON HANDHELD
TRANSMITTER



10T300KEYCHAIN
1-BUTTON KEYCHAIN
TRANSMITTER



10T300MINIPB
1-BUTTON MINIATURE
WIRED TRANSMITTER



10T300PB
WIRED TRANSMITTER
NO CASE

www.BEAinc.com

© 2015 BEA, Inc. All rights reserved.

300 MHz SERIES 300 MHz TRANSMITTERS AND RECEIVERS

BEA, Inc.
RIDC Park West
100 Enterprise Drive
Pittsburgh, PA 15275-1213

Customer Service: 800.523.2462
Technical Support: 800.407.4545

