

# 433 MHZ SERIES

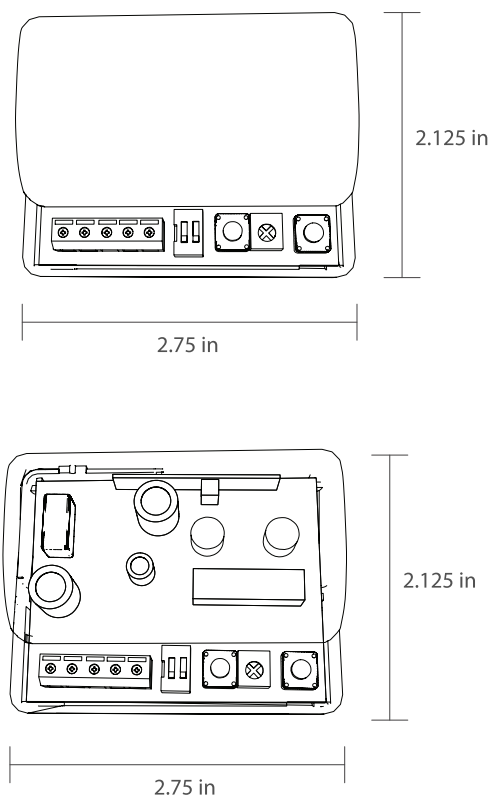
## 433 MHz WIRELESS TRANSMITTERS AND RECEIVERS



### TECHNICAL SPECIFICATIONS

|                                       |   |
|---------------------------------------|---|
| <b>Frequency</b>                      | 433 MHz   |
| <b>Radio Control Type</b>             | Digital   |
| <b>Emitted Radio Power</b>            | -28.7 dBm (transmitter)                             |
| <b>Power Consumption</b>              | 3 mA (transmitter); 30 mA (receiver)                |
| <b>Input Voltage</b>                  | 12 to 24 VAC / VDC                                  |
| <b>Contact Rating</b>                 | 1.0 A @ 30 VDC<br>0.5 A @ 125 VAC<br>0.3 A @ 60 VDC |
| <b>Operating Temperature</b>          | +14°F to +131°F                                     |
| <b>Max. Transmitters per Receiver</b> | 100 transmitters                                    |
| <b>LED Functionality</b>              |   |
| Red                                   | Receiver / Transmitter Learn                        |
| Blue                                  | Relay Activity                                      |
| <b>Dimensions (LxWxH)</b>             |   |
| Receiver                              | 2.75 in x 2.125 in x 1.0 in                         |
| Transmitter                           | 2.75 in x 1.375 in x 0.6 in                         |
| <b>Norm Conformance</b>               | CE, FCC, IC   |

### DIMENSIONAL DRAWINGS



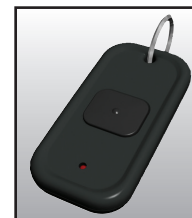
### SERIES BREAKDOWN



**10RD433**  
433 MHz  
RECEIVER



**10RD433EH**  
EXTENDED HOLD  
TIME RECEIVER



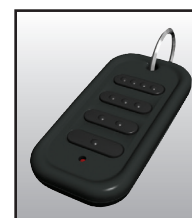
**10TD433HH1**  
ONE BUTTON  
TRANSMITTER



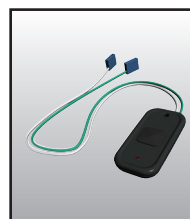
**10TD433HH2**  
TWO BUTTON  
TRANSMITTER



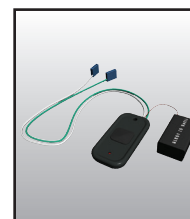
**10TD433HH3**  
THREE BUTTON  
TRANSMITTER



**10TD433HH4**  
FOUR BUTTON  
TRANSMITTER



**10TD433PB3V**  
ONE BUTTON, 3-VOLT  
WIRED TRANSMITTER



**10TD433PB9V**  
ONE BUTTON, 9-VOLT  
WIRED TRANSMITTER

www.BEAinc.com

© 2015 BEA, Inc. All rights reserved.

**433 MHZ SERIES** 433 MHz WIRELESS TRANSMITTERS AND RECEIVERS

BEA, Inc.  
RIDC Park West  
100 Enterprise Drive  
Pittsburgh, PA 15275-1213

Customer Service: 800.523.2462  
Technical Support: 800.407.4545



A HALMA COMPANY