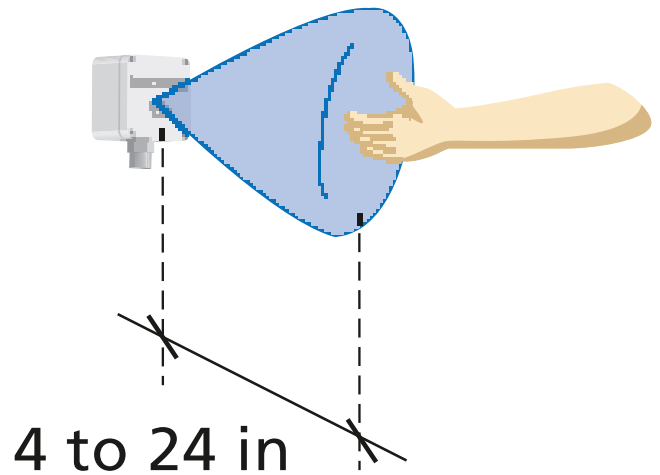


MAGIC SWITCH: MS09

NEMA 4 RATED, MICROWAVE TOUCHLESS ACTUATOR



PRIMARY APPLICATIONS



DESCRIPTION

BEA's NEMA 4 rated MS09 is a touchless activation device with an adjustable detection zone designed for industrial environments.

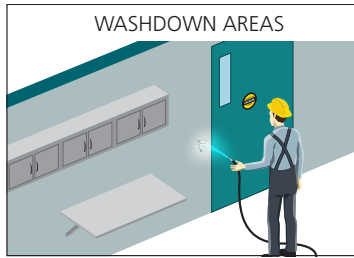
The surface mount MS09 utilizes proven microwave motion technology to ensure consistent and dependable activation. Conduit connectivity ensures a watertight installation in harsh environments and wash-down facilities.

The MS09 detects moving objects such as a hand, pallet jack or forklift and is ideal for applications requiring a hygienic activation method including hospitals, pharmacies, clean rooms and food services.

FEATURES & BENEFITS

- NEMA 4 (IP65) enclosure capable of use in industrial and extreme washdown environments
- User defined detection zone from 4 to 24 inches (pulse or toggle)
- Two faceplate options, Logo only and Text/Logo
- Perfect switch/activation solution for industrial applications such as chemical, petroleum or food service environments
- Can be used in a variety of outdoor and off-door applications
- Inter-operates with all automatic door control makes and models

APPLICATIONS



TECHNICAL SPECIFICATIONS

Technology	Microwave Doppler Radar
Radiated Frequency	24.125 GHz
Transmitter Radiated Power	< 20 dBm EIRP
Radiated Power Density	< 5 mW/cm ²
Detection Mode	Motion (bidirectional)
Detection Range	4 to 24 inches
Output	Relay with switch-over contact (free of potential)
Max. Voltage	60 VDC; 125 VAC
Max. Current	1 A (resistive)
Max. Switching Power	30 W (DC); 60 VA (AC)
Output Hold Time	0.5 s (in pulsed mode)
Supply Frequency	50 to 60 Hz
Supply Voltage	12 to 24 VAC ± 10% 12 to 24 VDC + 30%; - 10%
Power Consumption	< 1.2 W
Material / Colors	ABS, Nylon / PC, White
Cable Type	Compatible with standard, 4-conductor low voltage cable (cable not supplied)
Temperature Range	-4°F to +131°F
Degree of Protection	NEMA 4 / IP65
Norm Conformance	EMC: 2004 / 108 / EC; FCC: G9B-MS08; IC: 4680A-MS08
Dimensions	3.125 in x 3.125 in x 2 in

SERIES BREAKDOWN

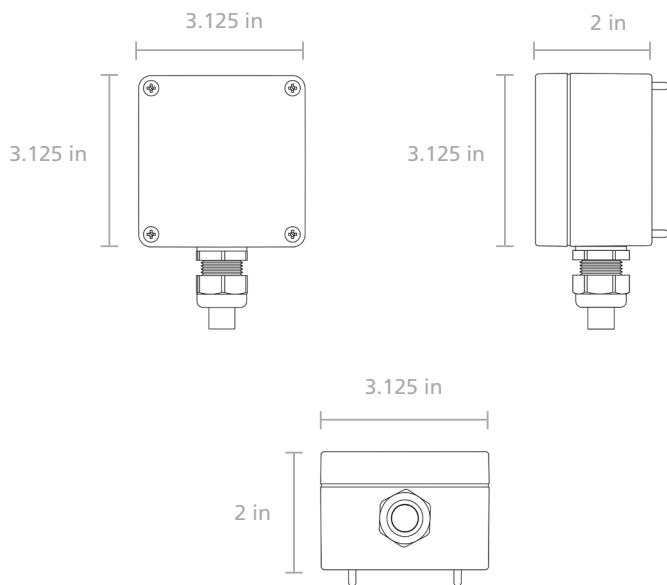


10MS09TL
TEXT & LOGO
FACEPLATE



10MS09L
LOGO ONLY
FACEPLATE

DIMENSIONAL DRAWINGS



www.BEAinc.com

© 2015 BEA, Inc. All rights reserved.

MAGIC SWITCH: MS09

NEMA 4 RATED, MICROWAVE TOUCHLESS ACTUATOR

79.0211.08

20151021

BEA, Inc.
RIDC Park West
100 Enterprise Drive
Pittsburgh, PA 15275-1213

Customer Service: 800.523.2462
Technical Support: 800.407.4545



BEA
A HALMA COMPANY