

PIEZO BUTTON

HEAVY DUTY, PIEZOELECTRIC PUSH BUTTON



SHOWN ABOVE IN ALL THREE ILLUMINATION STATES:
RED, GREEN, OFF

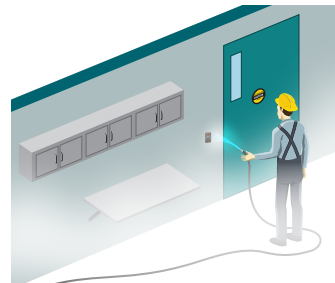
PRIMARY APPLICATIONS



User-Adjustable
Output Hold Timer



User-Adjustable
Output Hold Timer



Washdown
Resistant

DESCRIPTION

BEA's Piezo Button is part of the portfolio of request to exit products, including presence sensors, power supplies, ruggedized pneumatic push buttons, illuminated buttons, access keypads, a complete range of maglocks and other peripheral devices.

This button is a heavy-duty actuator, with a stainless steel faceplate appropriate for extreme environments, such as outdoor and industrial applications. This push button utilizes piezoelectric technology to convert physical touch (pressure) of the push button from mechanical to electrical energy.

The Piezo Button has an adjustable output timer ranging from 1 to 40 seconds. The LED ring can be illuminated in brilliant red, vibrant green or disabled.

FEATURES & BENEFITS

- 1 to 40 second, user-adjustable output hold time
- Can be configured to fail-safe or fail-secure
- Can be wired normally open or normally closed
- Fits standard, single gang mounting boxes
- LED illumination can be customized to user preference
- Stainless steel faceplate and technology appropriate to withstand the rigors of harsh environments
- Vandal/tamper resistant design
- Tested to perform greater than 1 billion operations



BEA, Inc.
RIDC Park West
100 Enterprise Drive
Pittsburgh, PA 15275-1213

Customer Service: 800.523.2462
Technical Support: 800.407.4545
www.BEAinc.com

RELATED REQUEST TO EXIT PRODUCTS



R2E-100



FLY KIT



BR3 LOGIC MODULE



MAGLOCKS



ELECTRIC STRIKES



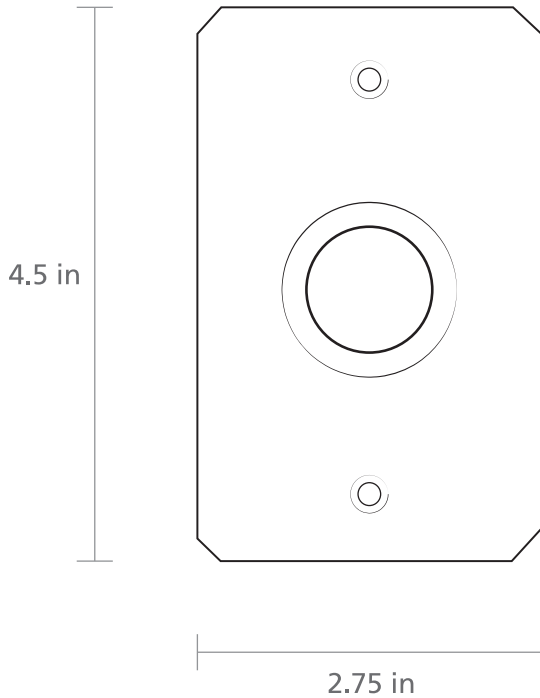
POWER SUPPLIES

TECHNICAL SPECIFICATIONS

Technology	Piezoelectric
Faceplate Dimensions	Single Gang - 2.75 in x 4.5 in
LED Configuration	Illuminated Red/Green ring that signals activation, which can also be disabled
Materials	Stainless steel faceplate with tamper-resistant screws
Switch rating	2 A at 30 VDC, 500 mA at 125 VAC
Hold Time Range (user adjustable)	1 to 40 s
Input Power	12 to 24 VDC (auto-sensing)
Relay	DPDT
Operating Temperature	-40°F to 160°F
Product Life Test	1 billion operations
Norm Conformance	NEMA 4 / IP65

DIMENSIONAL DRAWINGS

FRONT VIEW



PIEZO BUTTON SERIES



10PIEZO241
SINGLE,
TEXT ONLY



10BOX245GSM
STANDARD
SURFACE MOUNT

