



Integrated security solution

with NDE Series wireless locks featuring ENGAGE™ technology and BadgePass™ Access Manager



Overview

Schlage® NDE Series locks with ENGAGE™ technology seamlessly integrate with BadgePass™ Access Manager to provide a cost effective and scalable access control solution to meet your security needs.

The Schlage NDE Series wireless lock with ENGAGE technology is designed to be easy to install, connect, manage and use. Developed specifically for facilities that want to upgrade to electronic credentials for improved security and efficiency, it is ideal for interior office doors, common area doors and sensitive storage spaces with a cylindrical door prep.

The BadgePass Platform offers a full suite of security and identity applications built on a single database including Access Control, Identity Manager, and Visitor Manager. The modular design of BadgePass makes it a perfect fit for virtually any application, no matter how large or small.

BadgePass Access Manager also supports AD Series locks allowing you to combine both lock platforms into a single solution.

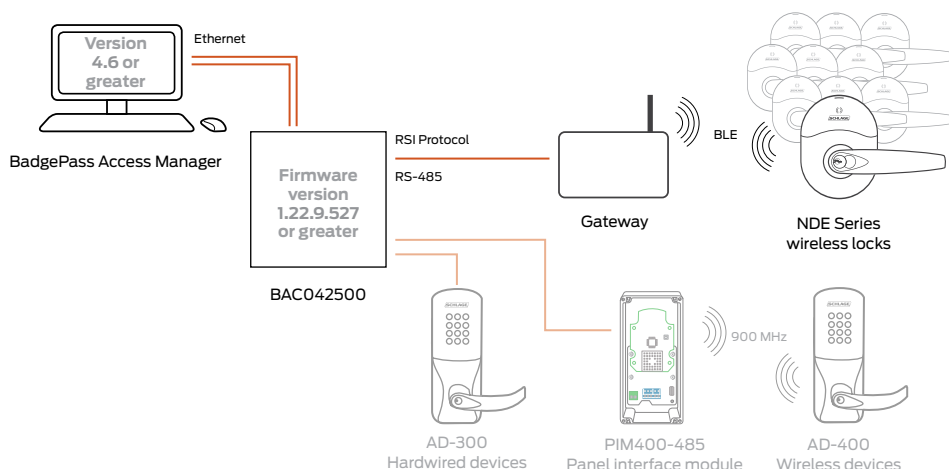
System Capabilities Summary

- Multi-technology reader (125 kHz proximity and 13.56 MHz smart)
- AES-256 bit encrypted
- Classroom/Storeroom function
- Cylindrical chassis
- Compatible with major brands of key systems
- Powered by four (4) standard off-the-shelf AA batteries
- ANSI/BHMA A156.25, ANSI/BHMA Grade 1, UL 294, UL10C, FCC Part 15, ADA, RoHS, Industry Canada (IC)

NDE Series locks via Gateway (RS-485) with BadgePass Server and BAC042500

- BAC042500 supports up to 64 NDE locks total
- BAC042500 supports a maximum of 8 gateways per RS-485 port
- There are 2 ports on each BAC042500
- Wireless range up to 100' from Gateway to NDE

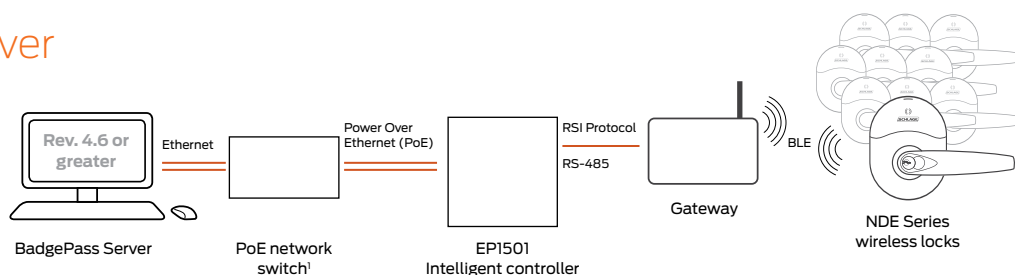
NOTE: Although not specifically shown, both devices featuring ENGAGE technology and AD Series devices can be managed on a common port. See BadgePass AD Series solution sheet for additional details.



NDE via EP1501 with BadgePass Server

- EP1501 supports 1 GWE Gateway and up to 10 NDE
- Wireless range up to 100' from GWE to NDE

¹ In order to have a UL Listed configuration a UL294 12VDC power supply must be used instead of PoE



Note:

Please refer to NDE Series locks and ENGAGE Gateway data sheets for complete specifications.

System capabilities:

	NDE Series locks via Gateway (RS-485) with BACO42500	NDE Series locks via Gateway/EP1501
Features		
Maximum number of locks supported by controller	64	16
Maximum number of locks supported via network access	N/A	N/A
Maximum number of gateways per controller/Host	8	8
Maximum number of NDE locks per gateway	10	10
Access control decision made by Host software or by lock database	Host	Host
Remote linking capability via Host ¹	Yes	Yes
Update frequency	N/A	N/A
Schedules	Yes	Yes
Holiday	Yes	Yes
Credentials		
Multi-technology - 125kHz proximity and 13.56 MHz smart credentials	Yes	Yes
PIV and PIV-I card compatible	N/A	N/A
Status monitors		
Request to exit	Yes	Yes
Door position	Yes	Yes
Mechanical key override	N/A	N/A
Request to enter	N/A	N/A
Low battery status	Yes	Yes
Communication Status BLE/RS-485	Yes	Yes
Remote lockdown/unlock	Yes (<5 sec)	Yes (<5 sec)
Interior push button	N/A	N/A
Lock functions		
Classroom/storeroom	Yes	Yes
Licensing		
Please contact BadgePass to determine licensing requirements		

¹ Can link using Host or Engage mobile app

Please contact BadgePass for additional details on integrated features and credentials supported.

Supported card formats

Proximity cards (125 kHz):

- AWID®
- GE/CASI®
- HID®
- Schlage®
- XceedID®

Smart cards (13.56 MHz):

- aptiQ® MIFARE Classic
- aptiQ MIFARE DESFire™ EV1

Smart cards (13.56 MHz) - reads card serial number only:

- HID iCLASS®
- DESFire®
- MIFARE®
- MIFARE DESFire™ EV1

Note: Additional card format info on ENGAGE™ Cloud-based Web and Mobile Applications Data Sheet.

Finishes

Standard cylinders shown, SFIC and FSIC also available.



619 - Satin nickel



626 - Satin chrome



626AM - Satin chrome
with antimicrobial



625 - Bright chrome



643e - Aged bronze



605 - Bright brass



606 - Satin brass



612 - Satin bronze

Lever styles



Athens



Rhodes



Sparta

Allegion, the Allegion logo, aptiQ, ENGAGE, the ENGAGE logo, Schlage, the Schlage logo, and XceedID are trademarks of Allegion plc, its subsidiaries and/or affiliates in the United States and other countries. All other trademarks are the property of their respective owners.

About Allegion

Allegion (NYSE: ALLE) is a global pioneer in safety and security, with leading brands like CISA®, Interflex®, LCN®, Schlage®, SimonsVoss® and Von Duprin®. Focusing on security around the door and adjacent areas, Allegion produces a range of solutions for homes, businesses, schools and other institutions. Allegion is a \$2 billion company, with products sold in almost 130 countries. For more, visit www.allegion.com.

aptiQ ■ LCN ■ SCHLAGE ■ STEELCRAFT ■ VON DUPRIN



ALLEGION™

© 2017 Allegion
011289, Rev. 1/17
www.allegion.com/us