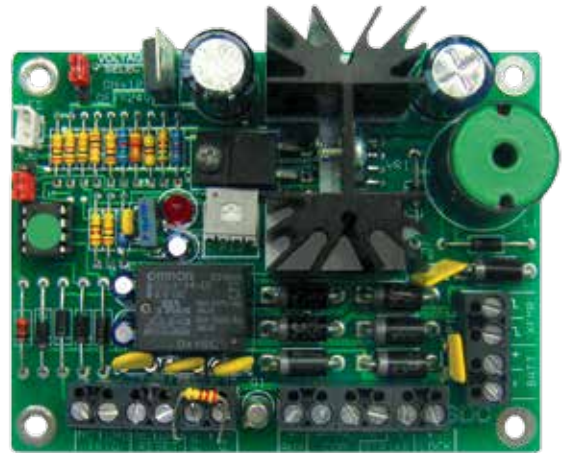


# 621 Series 1 Amp Power Supply



## MODULAR ACCESS CONTROL POWER SUPPLY EASY AS 1 • 2 • 3

The **621 Series Access Control Power Supplies** are designed to support access controls and electric locking devices. Equipped with two power limited outputs, the modular design enables versatility for installations with or without battery back-up or fire command center interface for emergency lock release.



621B

### FEATURES

- 12VDC or 24VDC field selectable output
- 1 Amp maximum, filtered and regulated output
  - 1 power limited switched output
  - 1 power limited auxiliary output
- Two control inputs
  - 1 trigger input, normally open (NO)
  - 1 supervised emergency release input (latching with reset or non-latching)
- When latching emergency release is selected and the switched output is deactivated by emergency release or power loss, power is restored by manual means only.
- Short circuit and thermal overload protection
- Battery charger output
- Automatically switched to battery back-up when AC fails
- Board equipped with AC input, DC output and battery status LED indicator
- Enclosure equipped with AC input, DC output and battery status LED indicator

### MODELS

- 621B** Power supply module, 1 Amp 12/24VDC, Class 2; Input requirements: 40VA @ 24VAC
- 621J** Power supply module, cabinet with door mounted LED system status indicator
- 621P** Power supply module, 1 Amp, 12/24VDC, Class; 2 with UL Listed plug-in transformer.
- 621PJ** Power supply module, 1 Amp, 12/24VDC, Class 2 with UL Listed plug-in transformer and small enclosure.
- 621P-UME** Power supply module, 1 Amp, 12/24VDC, Class 2 with UL Listed plug-in transformer and Universal Module Enclosure (UME).

### SPECIFICATIONS

<b>621B Input</b>	40VA @ 24VAC
<b>621P/621PJ Input</b>	115VAC 60Hz, 0.6 Amp
<b>Output</b>	Filtered and electronically regulated 1 Amp @ 12/24VDC (field selectable)
<b>Battery Charger</b>	150mA @ 12VDC
<b>Power Supply Board</b>	4"W x 3"H x 1.625"D
<b>Enclosure</b>	7.25"W x 8.375"W x 3.625"D



621PJ



621P-UME



621P



## HOW TO ORDER

### 1 | SPECIFY MODEL

- 621B** Power supply module, 1 Amp 12/24VDC, Class 2  
Input requirements: 40VA @ 24VAC; See options: TP2440
- 621J** Power supply module, cabinet with door mounted LED system status indicator
- 621P** Power supply module, 1 Amp, 12/24VDC, Class 2 with UL Listed plug-in transformer.
- 621PJ** Power supply module, 1 Amp, 12/24VDC, Class 2 with UL Listed plug-in transformer and small enclosure.
- 621P-UME** Power supply module, 1 Amp, 12/24VDC, Class 2 with UL Listed plug-in transformer and Universal Module Enclosure (UME).

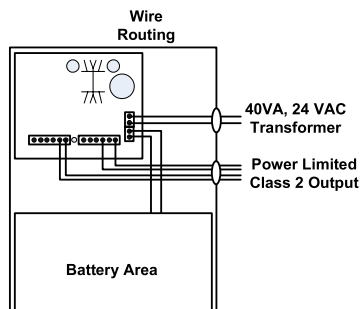
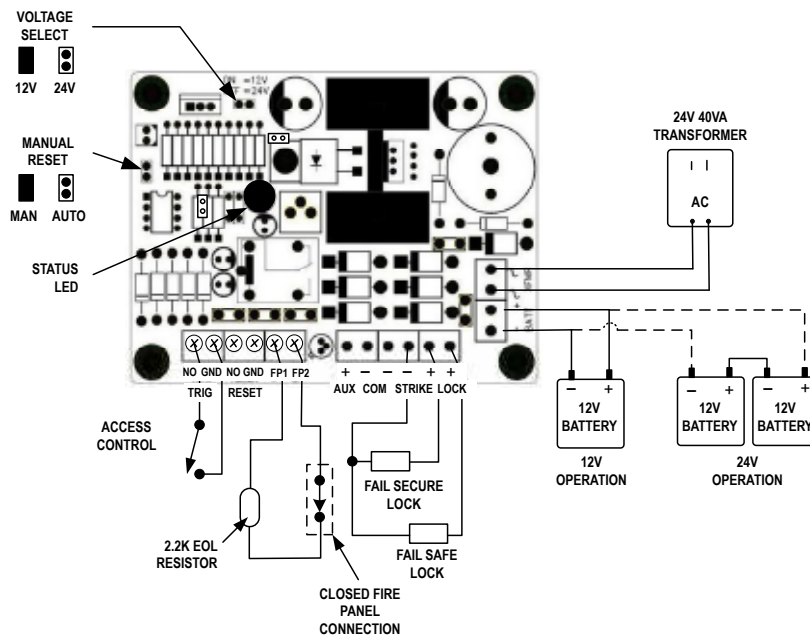
### 2 | SPECIFY OPTIONS (OPTIONAL)

- TP2440** 24VAC, 40VA transformer for use with 621B.  
UL Listed
- RB12V** 5Ah 12VDC battery (2 required for 24VDC)
- RB12V7** 8Ah 12VDC battery (1 max with enclosure)

## 621 - ELECTRICAL SPECIFICATIONS

**Input Voltage:** 24 - 28 VAC 40VA    **Output Voltage:** 12 or 24 VDC  
**Input Current:** 1.2 amps Max.        **Output Current:** 1 amp\*

\*40VA Transformer required to achieve 1 Amp output



**621 Led Modes:**  
**On** = Normal Operation  
**Off** = No DC Output  
**Slow Flash** = Loss of AC  
                   Battery Powered  
**Fast Flash** = Trigger Input  
                   or  
                   Awaiting Reset

