

RIXSON 28 Floor Closer

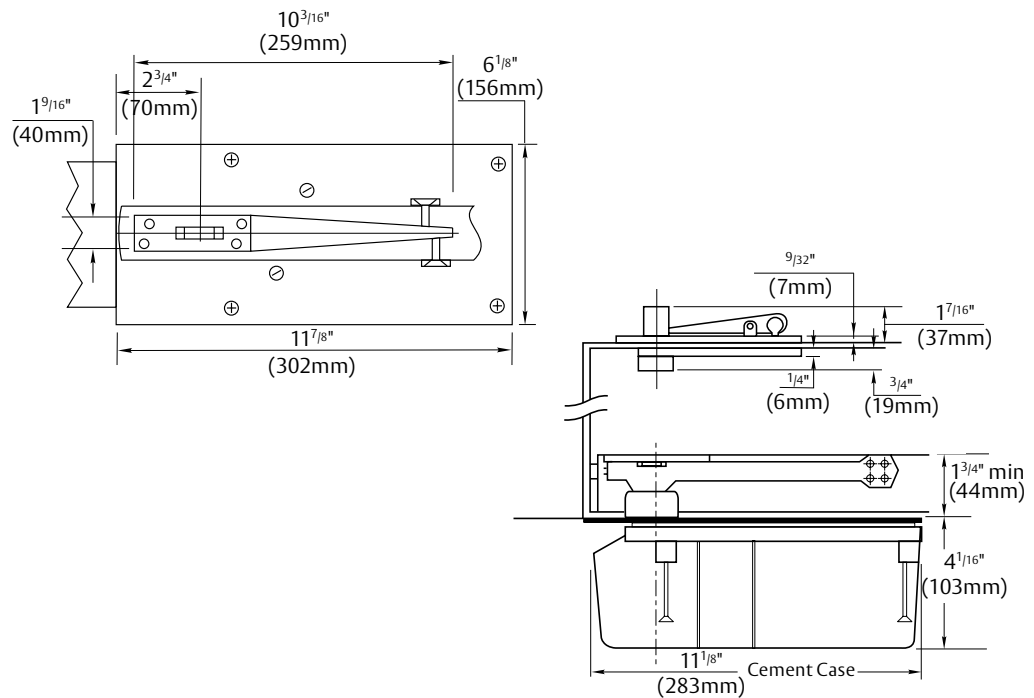
The global leader in
door opening solutions

ASSA ABLOY



Features

- Center hung
- Single acting, handed
- Separate and independent closing, latching, and backcheck valves
- Built-in positive dead stop
- Available with floor plate or threshold installation
- Extended spindles available in 1/2" increments up to 2" longer than standard
- Hold open options available



Technical Specifications

Materials:

- Cicolac, rustproof cement case
- Stainless steel cover plate

System:

- Closer body with cement case (FC-28)
 - 105° Hold Open (105S)
 - 90° Hold Open (90S)
 - 5 lbs of opening force for ADA (FC-PH28)

Pivot Options:

- Walking Beam Pivot (PV-WALKBEAM)



Approvals and Listings:

- Meets ANSI/BHMA A156.4 Grade 1 requirements
- ADA compliant (PH option only)

Door Specifications:

- Maximum door weight: 350 lbs.
- Maximum door size: 4'0" x 8'6"

Finish Options:

- Satin Stainless Steel (US32D/630)
- Bright Stainless Steel (US32/629)
- Extra Dark Bronze Equivalent (314E)

ASSA ABLOY Glass Solutions
300 Main Street
Rockwood, PA 15557
PH: (855) 594-6989
www.assaabloyglass.us

ASSA ABLOY is the global leader in door opening solutions, dedicated to satisfying end-user needs for security, safety and convenience