

# SECURITRON® M32-SS Magnalock®

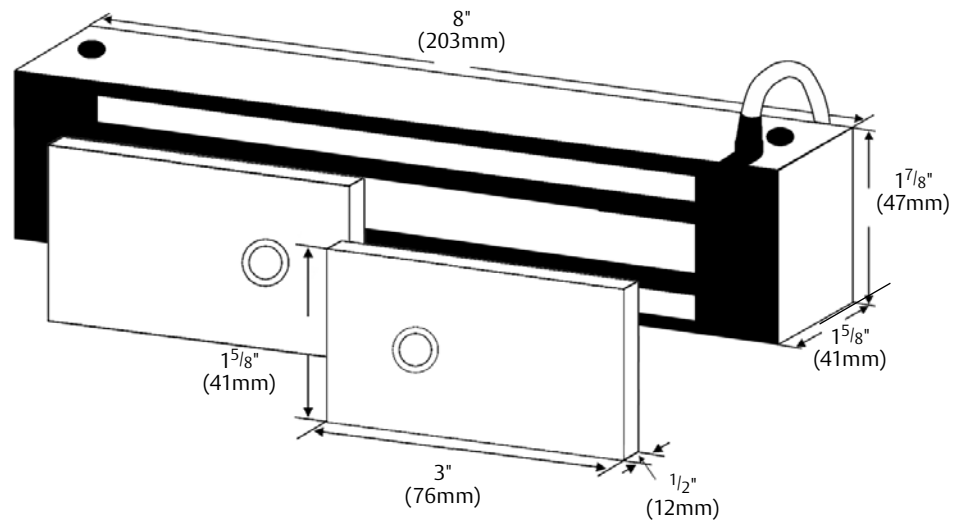
The global leader in  
door opening solutions

**ASSA ABLOY**



## Features

- Direct mount with common tools for strength and reliability
- Fully sealed and for weatherproof operations
- 10 ft. (3.05m) of jacketed, stranded conductor cable
- Noise suppression with included MOV
- Automatic dual voltage - no field adjustment required
- Instant release circuit - no residual magnetism
- Efficient, low power usage
- Rust resistant - All ferrous metal surfaces plated for durability
- MagnaCare Lifetime Replacement No Fault Warranty



## Technical Specifications

### Materials:

- Satin Stainless Steel

### System:

- Magnalock: MAG-M32B-SS
- Holding Force: 600lbs (272kg)
  - 300 lbs (136 kg) per strike
- BondSTAT magnetic bond sensor
  - Patented (MBS)
- Dimensions:
  - Magnalock: 8"L x 1 5/8"D x 1 7/8"H
  - Strike: 3"L x 1 1/2"D x 1 5/8"H each
- Electrical:
  - 300mA at 12VDC
  - 150mA at 24VDC
- Operating Temperature: -40 to +140F (-40 to +60C)  
Indoor or Outdoor use

### Patents, Approvals and Listings:

- Underwriters Laboratories (US and Canada): Files SA6635, BP7041 and R13976
- UL 10B and UL 10C, UL 294
- California State Fire Marshal: 3774-0923:101
- City of New York MEA: 251-95E and 254-95E
- CE: EN 50081-1 (92) and EN 61000-6-2 (99)
- Patent: 8,094,017

### Finish Options:

- Satin Stainless Steel (US32D/630)

ASSA ABLOY Glass Solutions  
300 Main Street  
Rockwood, PA 15557  
PH: (855) 594-6989  
www.assaabloyglass.us

ASSA ABLOY is the global leader in door opening solutions, dedicated to satisfying end-user needs for security, safety and convenience