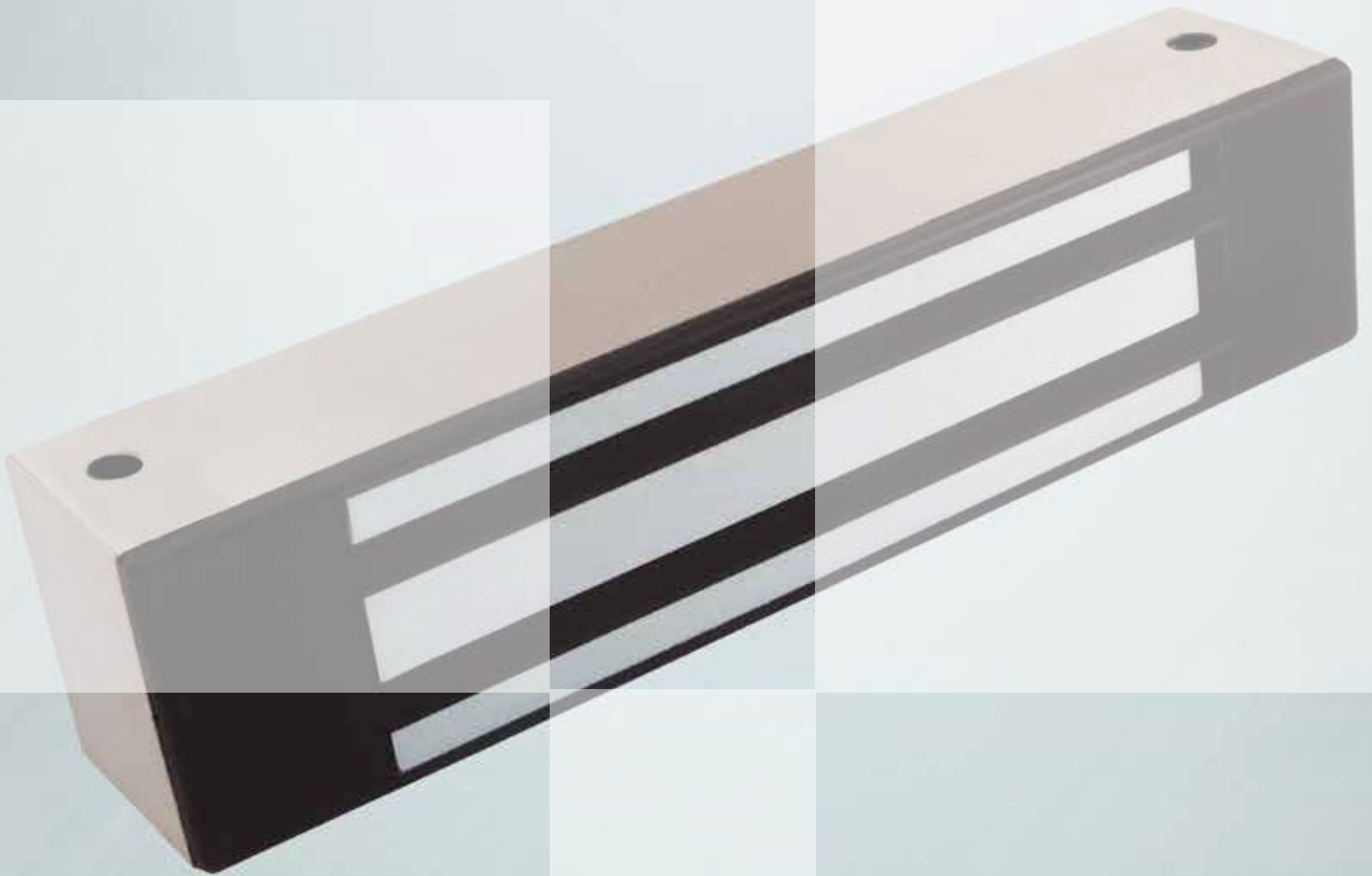


# SECURITRON® M32 Magnalock®

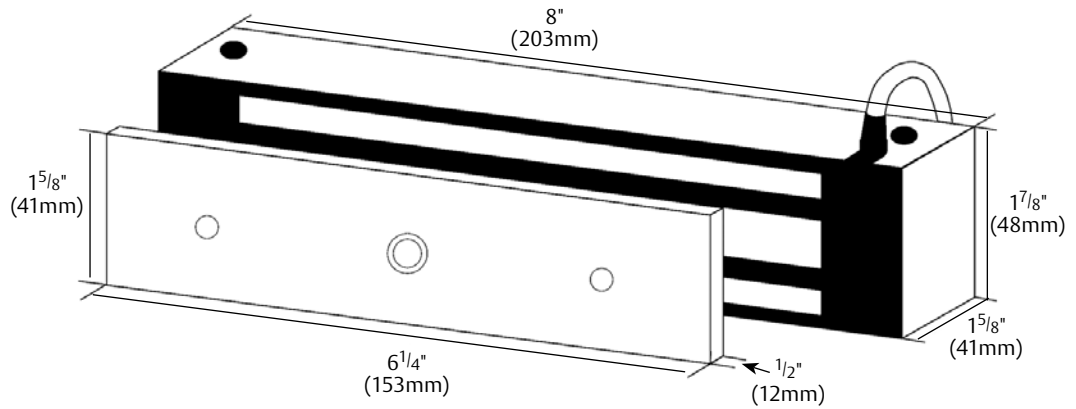
The global leader in  
door opening solutions

**ASSA ABLOY**



## Features

- Ultra-secure collapsing blind nuts mount to the door frame for strength and reliability
- Fully sealed for weatherproof operations
- 10 ft. (3.05m) of jacketed, stranded conductor cable
- Automatic dual voltage - no field adjustment required
- Instant release circuit - no residual magnetism
- Noise suppression with included MOV
- Efficient, low power usage
- Rust resistant - All ferrous metal surfaces plated for durability
- MagnaCare® Lifetime Replacement No Fault Warranty



## Technical Specifications

### Materials:

- Satin Stainless Steel

### System:

- Magnalock®: MAG-M32BD
- Holding Force: 600lbs (272kg)
- BondSTAT™ magnetic bond sensor
  - Patented (MBS)
- Integrated door position switch (DPS)
- Dimensions:
  - Magnalock: 8"L x 1 5/8"D x 1 7/8"H
  - Strike: 6 1/4"L x 1 1/2"D x 1 5/8"H
- Electrical:
  - 300mA at 12VDC
  - 150mA at 24VDC
- Operating Temperature: -40 to +140F (-40 to +60C)  
Indoor or Outdoor use

### Patents, Approvals and Listings:

- UL 10C Listed
- CAN4-S104, CAN/ULC-S533 Listed
- ANSI/UL 294 Listed
- CSA-C22.2 No.205 Listed
- ANSI/BHMA A156.23, Grade 1; E08501-500
- CSFM- California State Fire Marshal Approved
- MEA – City of New York Approved
- CE:EN 50081-1(92), EN 61000-6-2(99) Approved
- Patent: 8,094,017

### Finish Options:

- Satin Stainless Steel (US32D/630)

### Dress Covers:

- Specify MAG-DC32 x finish
  - Bright Stainless Steel (US32/629)
  - Clear Anodized Aluminum (US28/628)
  - Satin Black Anodized Aluminum (US19/335)



ASSA ABLOY Glass Solutions  
300 Main Street  
Rockwood, PA 15557  
PH: (855) 594-6989  
www.assaabloyglass.us

ASSA ABLOY is the global leader in door opening solutions, dedicated to satisfying end-user needs for security, safety and convenience