

SECURITRON® M370 Magnalock®

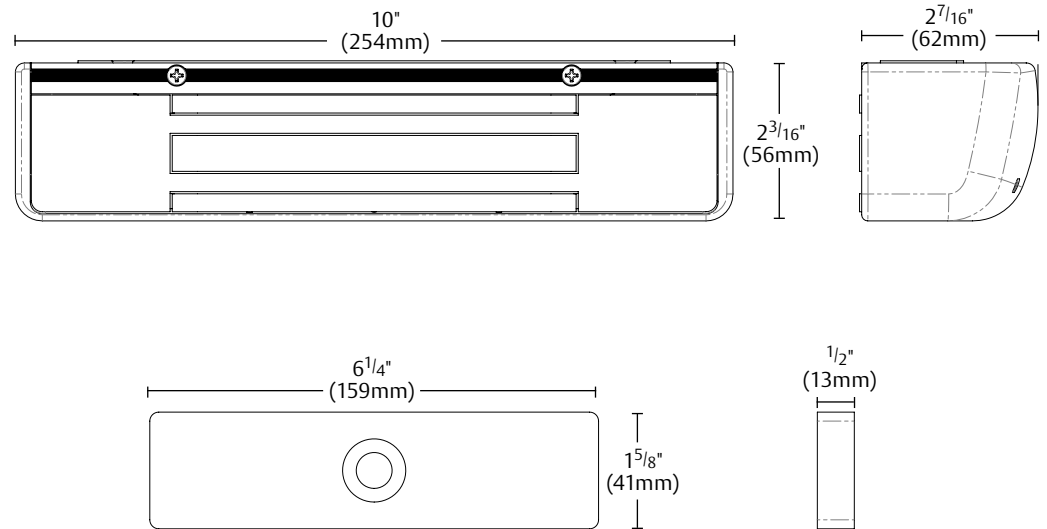
The global leader in
door opening solutions

ASSA ABLOY



Features

- Bracket mounting provides the easiest install for out-swing doors
- Innovative install template for effortlessly accurate alignment between magnet and armature plate
- Sleek, low profile and refined lines for improved aesthetics
- LED visual locked status with configurable red/green color output
- Autosensing dual voltage with microprocessor technology
- Wire chamber with antitamper switch
- Efficient, low power usage
- MagnaCare® Lifetime Replacement No Fault Warranty



Technical Specifications

Materials:

- Anodized Aluminum

System:

- Magnalock: MAG-M370
- Holding Force: 600lbs (272kg)
- Dimensions:
 - Magnalock: 10"L x 2⁷/₁₆"D x 2³/₁₆"H
 - Strike: 6¹/₄"L x 1/2"D x 1⁵/₈" H
- Electrical:
 - 510mA at 12VDC
 - 270mA at 24VDC
- Operating Temperature: +32 to +110F (0 to +43C)
Indoor use only

Patents, Approvals and Listings:

- UL 10C Listed
- UL 1034 Listed
- CAN4-S104, CAN/ULC Listed
- ANSI/BHMA A156.23, Grade 1; E18501-500, E18531-500
- CSFM- California State Fire Marshall Approved
- Patents Pending

Finish Options:

- Clear Anodized Aluminum (US28/628)
- Satin Black Anodized Aluminum (US19/335)
- Satin Brown Anodized Aluminum (US20A/313)*

*Securitron's 313 finish is Dark Bronze

ASSA ABLOY Glass Solutions
300 Main Street
Rockwood, PA 15557
PH: (855) 594-6989
www.assaabloyglass.us

ASSA ABLOY is the global leader in door opening solutions, dedicated to satisfying end-user needs for security, safety and convenience