

SECURITRON® M670 Magnalock®

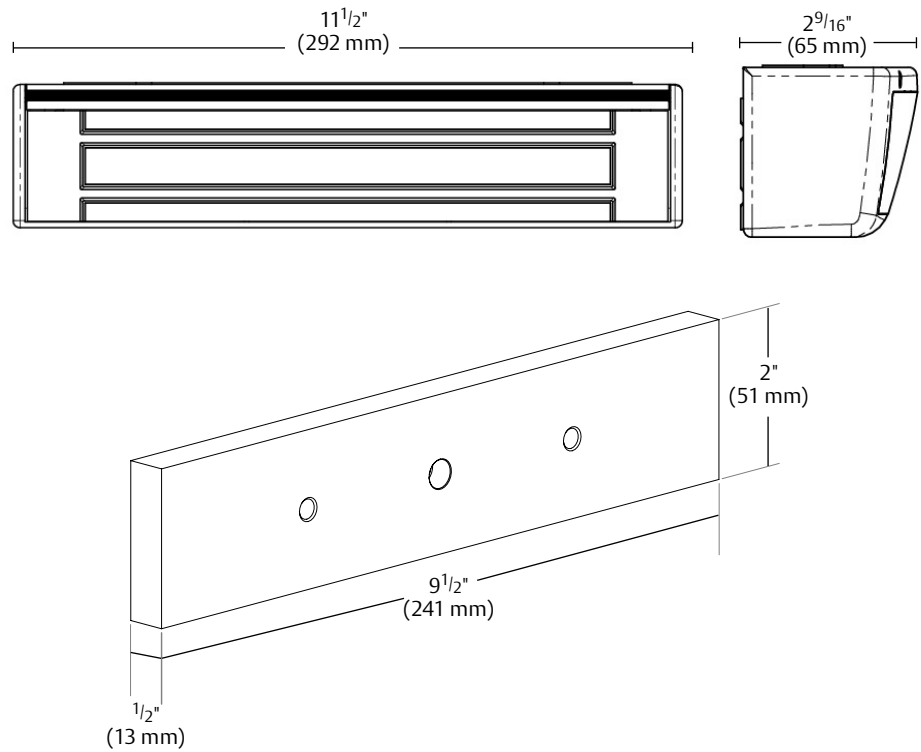
The global leader in
door opening solutions

ASSA ABLOY



Features

- Bracket mounting provides the easiest install for out-swing doors
- Innovative templating for an effortlessly accurate alignment between magnet and armature plate
- Sleek, low profile and refined lines for improved aesthetics
- LED shows red or green for lock status indication
- Autosensing dual voltage with microprocessor technology
- Wire chamber anti-tamper switch
- Efficient, low power usage
- MagnaCare® Lifetime Replacement No Fault Warranty



Technical Specifications

Materials:

- Anodized Aluminum

System:

- Magnalock: MAG-M670
- Holding Force: 1100lbs (499 kg)
- Dimensions:
 - Magnalock: 11¹/₂"L x 2⁹/₁₆"D x 2¹/₂"H
 - Strike: 9¹/₂"L x 1¹/₂"D x 2"H
- Electrical:
 - 575mA (± 10%) at 12VDC
 - 275mA (± 10%) at 24VDC
- Operating Temperature: +32 to +110F (0 to +43C)
Indoor use only

Patents, Approvals and Listings:

- UL 1034 Burglary-Resistant Listed
- UL 10C Listed
- CAN4-S104, CAN/ULC Listed
- UL 294 Recognized Component
- ANSI/BHMA A156.23, Grade 1; E18501-1000
- CSFM- California State Fire Marshal Listed
- Patents: D682,655; D690,576
- Patents Pending

Finish Options:

- Clear Anodized Aluminum (US28/628)
- Satin Black Anodized Aluminum (US19/335)
- Satin Brown Anodized Aluminum (US20A/313)*

*Securiton's 313 finish is Dark Bronze

ASSA ABLOY Glass Solutions
300 Main Street
Rockwood, PA 15557
PH: (855) 594-6989
www.assaabloyglass.us

ASSA ABLOY is the global leader in door opening solutions, dedicated to satisfying end-user needs for security, safety and convenience