

SECURITRON® M680 Magnalock®

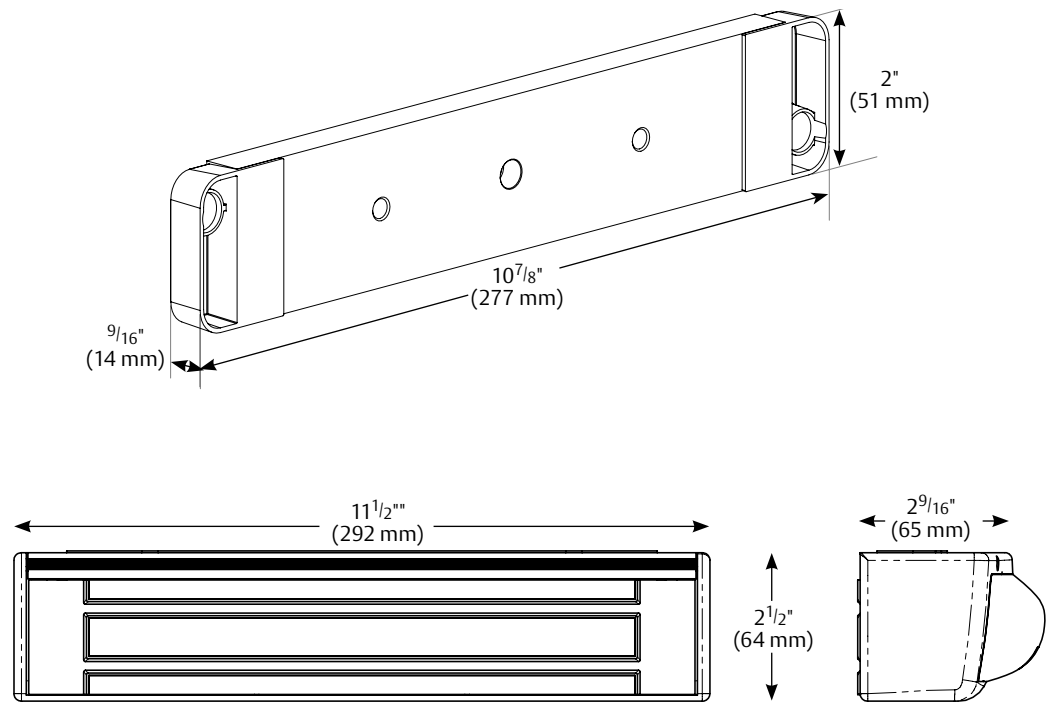
The global leader in
door opening solutions

ASSA ABLOY



Features

- Bracket mounting provides the easiest install for out-swing doors
- Innovative install template for an effortlessly accurate alignment between magnet and armature plate
- Sleek, low profile and refined lines for improved aesthetics
- LED visual locked status with configurable red/green color output
- BondSTAT™ lock bond sensor – Patented
- Integrated door position switch
- Autosensing dual-voltage with microprocessor technology
- Adjustable automatic relock timer (0-30 seconds)
- Wire chamber with anti-tamper switch
- Efficient, low power usage
- MagnaCare® Lifetime Replacement No Fault Warranty



Technical Specifications

Materials:

- Anodized Aluminum

System:

- Magnalock: MAG-M680BDX
- Holding Force: 1,100 lbs (499 kg)
- Adjustable passive infrared (PIR) request to exit (REX)
 - Automatically cuts power to M380 for egress
 - REX output
 - Easily adjustable beam pattern
 - Adjustable relock timer
- Dimensions:
 - Magnalock: 11¹/₂" L x 2⁹/₁₆" D x 2¹/₂" H
 - Strike: 10⁷/₈" L x 9⁹/₁₆" D x 2" H
- Electrical:
 - Magnalock®: 550 mA (± 10%) at 12 VDC
300 mA (± 10%) at 24 VDC
 - REX: 25 mA (± 10%) at 12 VDC
10 mA (± 10%) at 24 VDC
- Operating Temperature: +32 to +110F (0 to +43C)
Indoor use only

Patents, Approvals and Listings:

- UL 1034 Burglary- Resistant Listed
- UL 10C Listed
- CAN4-S104, CAN/ULC Listed
- UL 294 Recognized Component
- ANSI/BHMA A156.23, Grade 1; E18501-1000
- CSFM- California State Fire Marshal Listed
- Patents: D682,655; D690,576; 8,094,017
- Patents Pending

Finish Options:

- Clear Anodized Aluminum (US28/628)
- Satin Black Anodized Aluminum (US19/335)
- Satin Brown Anodized Aluminum (US20A/313)*

*Securitron's 313 finish is Dark Bronze

ASSA ABLOY Glass Solutions
300 Main Street
Rockwood, PA 15557
PH: (855) 594-6989
www.assaabloyglass.us

ASSA ABLOY is the global leader in door opening solutions, dedicated to satisfying end-user needs for security, safety and convenience