

# Pivots

The global leader in  
door opening solutions

**ASSA ABLOY**



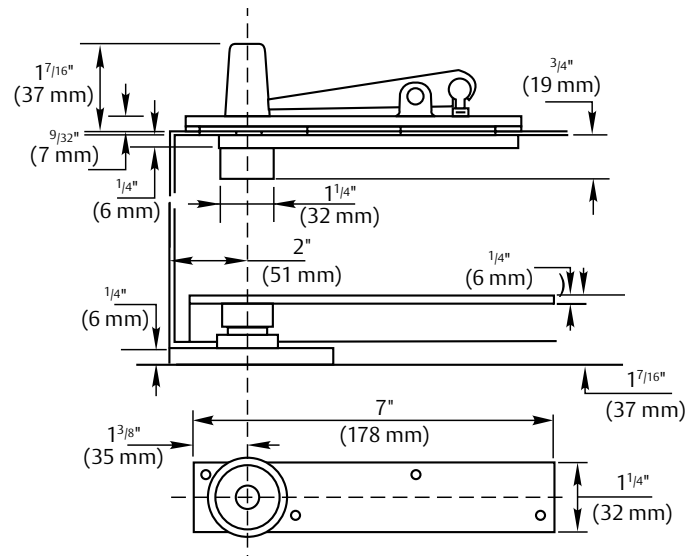
# RIXSON 370 Center Hung Pivot Set

## Features

- Standard top pivot 340 included
- Bottom pivot mounts directly to floor
- Pivot set features sealed bearings for protection against weather and debris
- Available with extended spindles in 1/2" increments up to 2" longer than standard

## Technical Specifications

- Maximum Door Weight: 500 lbs
- Maximum Door Size: 3'8" x 8'6"
- Base Material: Brass, steel, and cast iron
- Finishes: US26D/626, US26/625, US10B/613
- Approvals and Listings: Meets ANSI/BHMA A156.4, Grade 2 requirements
- Part Number: PV-370



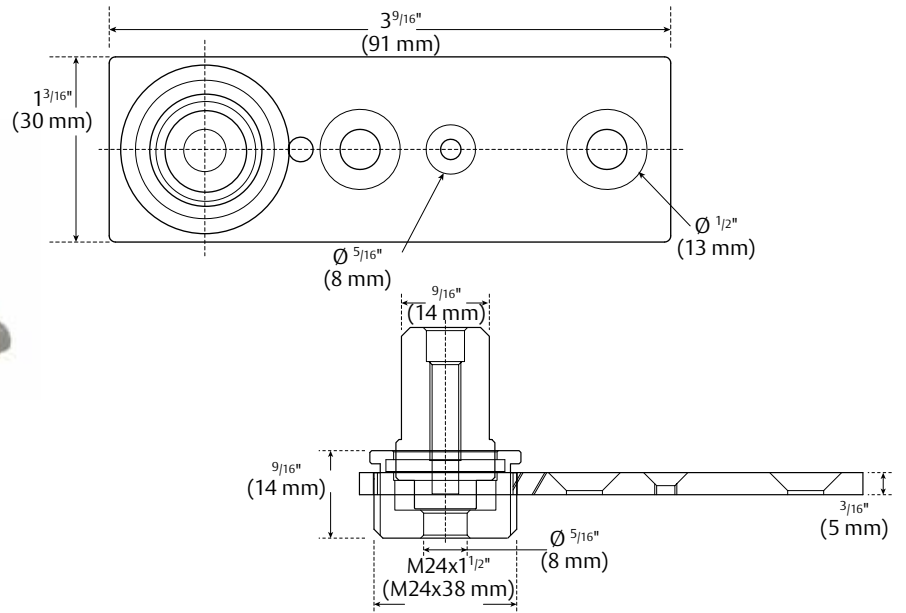
# RIXSON 180 Offset Top Pivot

- Standard top pivot for most offset pivot sets and floor closers
- 3/4" (19 mm) offset (measured from centerline of pivot to face of door)
- Full Mortise
- Non-handed
- Finishes: US32D/630
- Part Number: PV-180

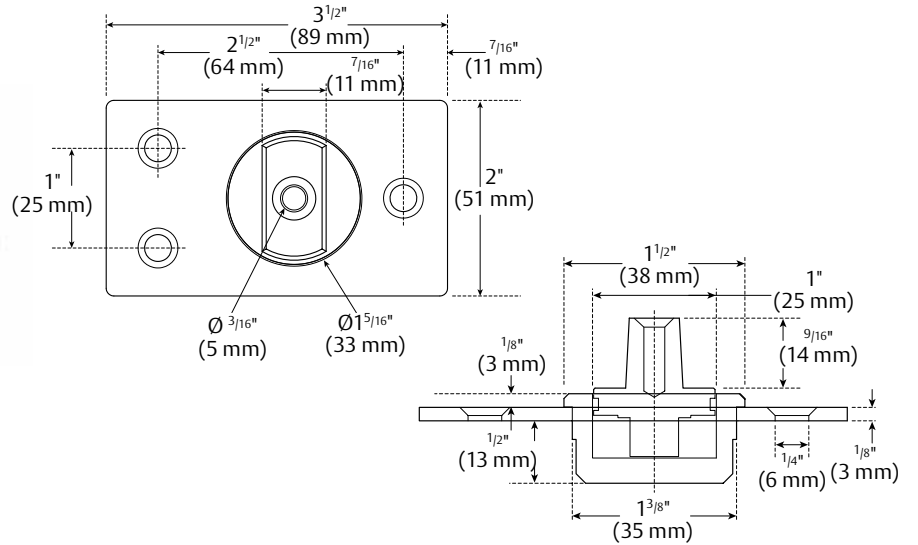


# Pivots

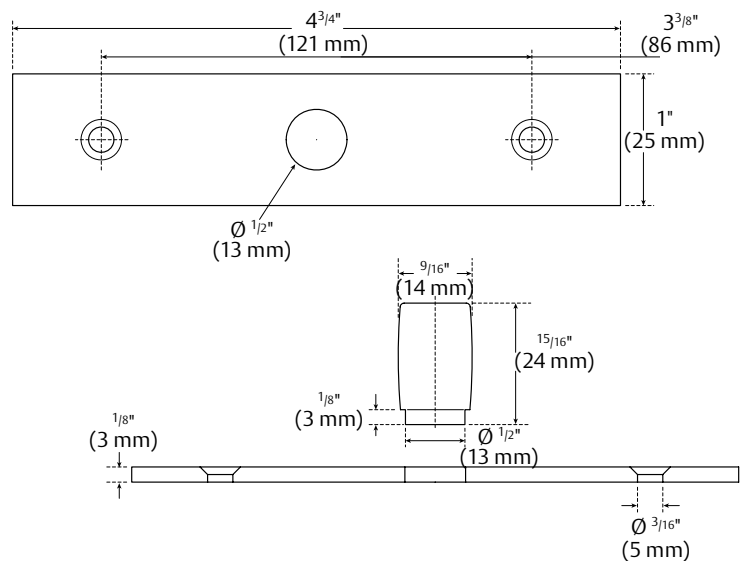
## Adjustable Pivot (PF-ADJ-PIVOT)



## Floor Mount Pivot (PF-FM-PIVOT)

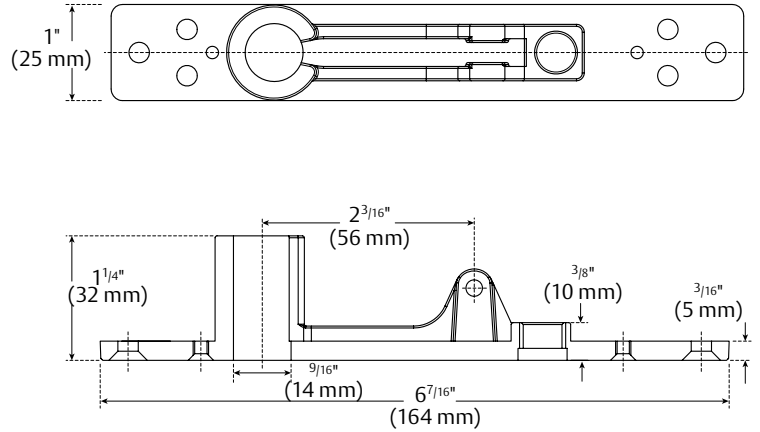


## Surface Mount Pivot (PF-SM-PIVOT)

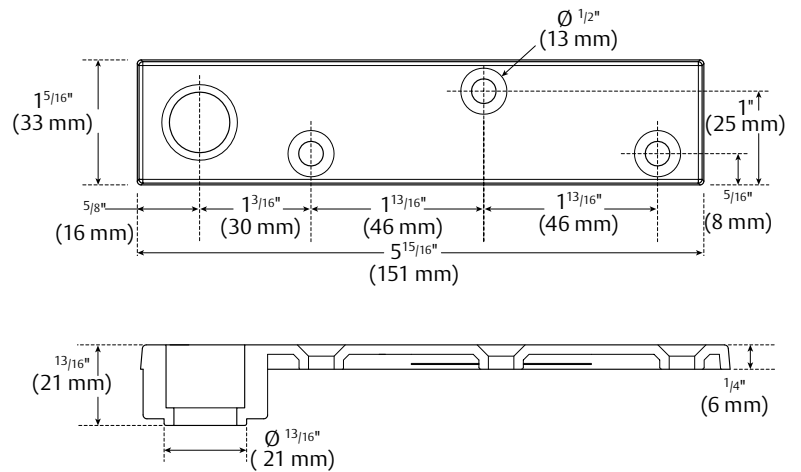


# Pivots

## Walking Beam Pivot - Header (PV-WALKBEAM)



## Walking Beam Pivot - Door Rail (PV-WALKBEAM)



ASSA ABLOY is the global leader in door opening solutions, dedicated to satisfying end-user needs for security, safety and convenience

**ASSA ABLOY**

ASSA ABLOY Glass Solutions  
 300 Main Street  
 Rockwood, PA 15557  
 CustomerService.GlassSolutions@assaabloy.com  
 PH: 855-594-6989  
 www.assaabloyglass.us