



FEATURES

- Suitable for chlorinated environments
- Public, Private & Remote Allocation System (RAS) mode
- Key override
- Up to 80,000 cycles per pair of AA batteries
- Batteries included
- Battery condition indicator
- Audible keypad (can be turned on/off)
- 8 digit master code
- 6 digit sub-master code
- 4 digit user codes
- 6 digit technician code
- Auto unlock mode (can be turned on/off)

OPTIONS

- Finishes:** Silver (S), Black (B), White (W), Custom (C)*
- Keypad Direction:** Vertical (V), Right (R), Left (L)
- ADA Wet Area Kit (A)
- Remote Allocation System (RAS)

DIMENSIONS & SPECIFICATIONS

External Dimensions:

- Length: 140mm (5 1/2in)
- Width: 41mm (1.61in)
- Depth: 32.5mm (1.28in)

Mounting Hole Shape: 2 or 3 point mounting (see technical drawing)

Spindle Length: 20mm standard, 16mm by special order*

Power: 2 x AA Battery (Alkaline)

Operations: Up to 80,000 cycles per pair of AA batteries

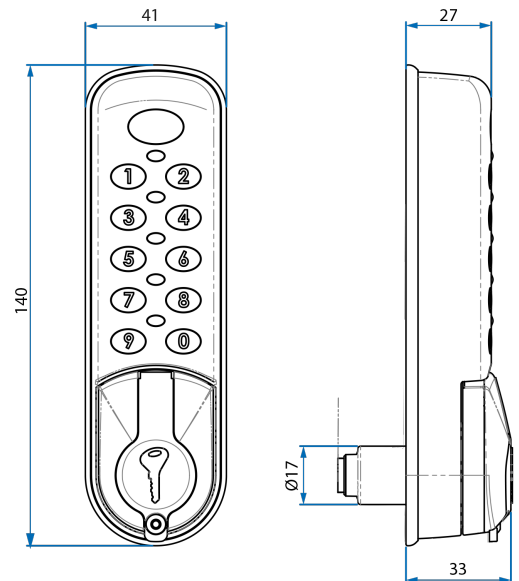
Low Battery: LED lights with battery condition indicator

Material: Zinc diecast

Finish: Powder coated


Standard Cam Capability: 1/4" to 1 1/2"

IP65 Rated



ORDERING INFORMATION

Order # for EC-781 shown above is EC-781BV

PART #	FINISH	KEYPAD DIRECTION	ADA KIT	REMOTE ALLOCATION SYSTEM
EC-781	(S) SILVER (B) BLACK (W) WHITE (C) CUSTOM*	(V) VERTICAL (R) RIGHT (L) LEFT	(A) ADA KIT FOR WET AREA LOCKS	(RAS) 

*Contact LockeyUSA for minimum order quantities and lead times for special/custom orders.