



FEATURES

- RFID: Can be paired with existing MIFARE/NFC 13.56MHz systems or used separately
- Flush fit
- Public or private user modes
- Key override
- Up to 80,000 cycles per pair of AA batteries
- Batteries included
- Battery condition indicator
- Audible actuation

PROGRAMMING OPTIONS

Change master card, add user card, delete all user cards, delete single user card (with & without user card), set private mode & public mode, set audio, auto unlock, set read speed mode.

ORDERING OPTIONS

Finishes: Silver (S), Black (B), Custom (C)*

DIMENSIONS & SPECIFICATIONS

External Dimensions:

- Length: 143.5mm (5.65in)
- Width: 41mm (1.61in)
- Depth: 13.5mm (.53in)

Internal Dimensions:

- Length: 141.6mm (5.57in)
- Width: 42.6mm (1.68in)
- Depth: 37.5mm (1.48in)

Mounting Hole Shape: 3 point mounting

Spindle Length: 24mm standard, 20mm by special order*

Power: 2 x AA Battery (Alkaline)

Low Battery: LED indicator lights with battery condition indicator

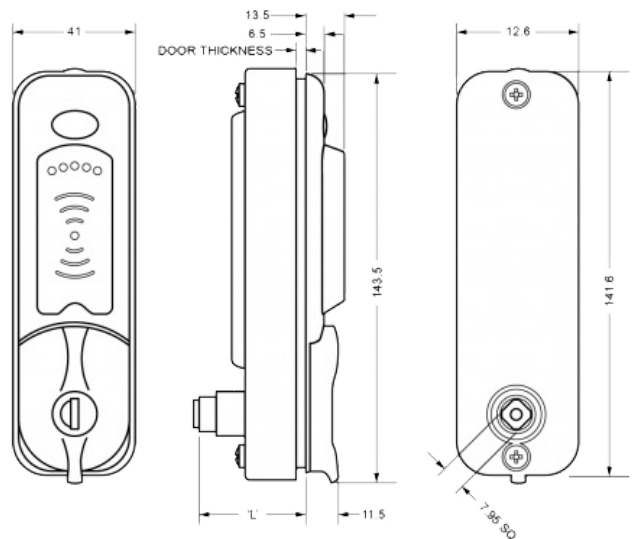
Material: Zinc diecast

Finish: Powder coated

For Internal Use

ORDERING INFORMATION

Order # for EC-785 shown above is EC-785S



PART #	FINISH
EC-785	(S) SILVER (B) BLACK (C) CUSTOM*

*Contact LockeyUSA for minimum order quantities and lead times for special/custom orders.