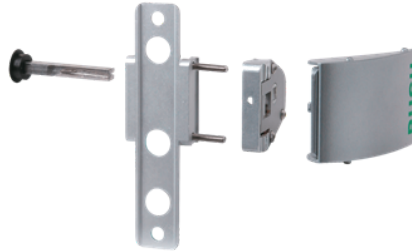




# PUSH HANDLE SET IN ALUMINUM

Item No. 3006PUSH

Aluminum Push handle set allows opening of the lock with a push movement in the same direction as the opening of the gate. The Push-set replaces the normal handle and the back side is blocked. The handle set ONLY fits the Industrial lock and allows it to be used in the following applications: Safety Exit, Free Exit, Dead Latch, or Store Room Lock.



- The set is adaptable on all surface mounted Locinox locks with aluminum U-lock box
- The 3006PUSH replaces the handles
- Facilitates the opening of the gate

---

## AVAILABLE IN FOLLOWING RAL-COLORS



ZILV

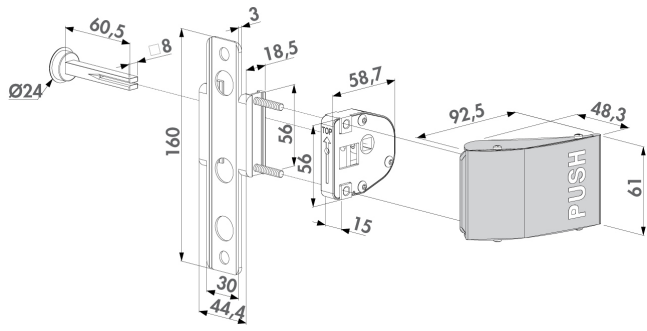
---

## FEATURES



---

To be able to serve you better, Locinox uses cookies. If you continue to use our site you agree to the use of these cookies. [Hide](#) [More information](#)



---

To be able to serve you better, Locinox uses cookies. If you continue to use our site you agree to the use of these cookies. [Hide](#) [More information](#)