

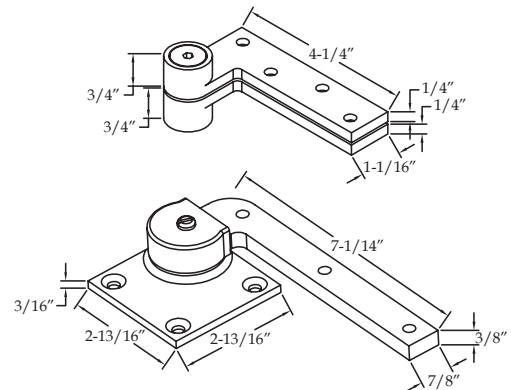
## Offset Pivot Sets

### 0117 Pivot Set - 3/4" Offset

#### Standard Features

- 0180 Top Pivot
  - Frame leaf mortises into header
  - Door leaf mortises into top of door
- 0117 Bottom Pivot
  - Bottom leaf mortises into floor
  - Door leaf mortises into bottom of door
- Handed - Specify LH or RH
- Maximum door load - 300 pounds
- Maximum door width - 42"
- UL listed for use on 3-hour fire rated doors - **Standard**
- Heavy duty bearings
- Stainless steel base material

Meets or exceeds  
ANSI C07162 & C07202



#### Options

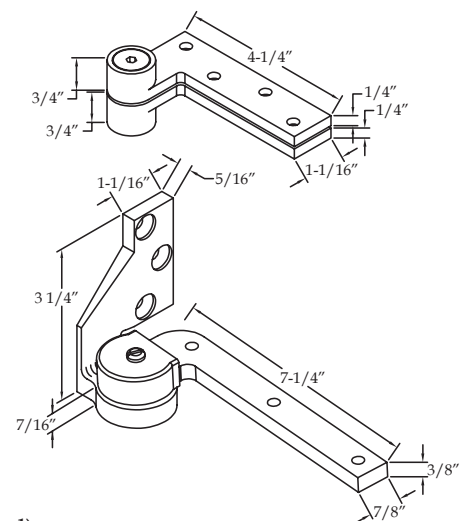
- **EXTS** - Extended Spindle on bottom pivot (up to 2" longer than standard)
- **EXTP** - Extended Pin on top pivot (up to 3/4" longer than standard)
- **SEC** - Security fasteners
- **B** - Bottom pivot only (no top pivot)

### 0117.25 Pivot Set - 3/4" Offset

#### Standard Features

- 0180 Top Pivot
  - Frame leaf mortises into header
  - Door leaf mortises into top of door
- 0117.25 Bottom Pivot
  - Bottom leaf mortises into side jamb and rests on floor
  - Door leaf mortises into bottom of door
- Handed - Specify LH or RH
- Maximum door load - 250 pounds
- Maximum door width - 42"
- UL listed for use on 3-hour fire rated doors - **Standard**
- Heavy duty bearings
- Stainless steel base material

Meets or exceeds  
ANSI C07172



#### Options

- **EXTS** - Extended Spindle on bottom pivot (up to 2" longer than standard)
- **EXTP** - Extended Pin on top pivot (up to 3/4" longer than standard)
- **SEC** - Security fasteners
- **B** - Bottom pivot only (no top pivot)

DISTRIBUTED BY



Architectural Builders Hardware Manufacturing, Inc.  
1222 Ardmore Avenue, Itasca, IL 60143  
Tel: 630-875-9900 • Fax: 630-875-9918 / 800-932-9224  
Web: www.abhmfg.com • Email: abhinfo@abhmfg.com

