

Offset Pivot Sets

0147 Pivot Set - 3/4" Offset

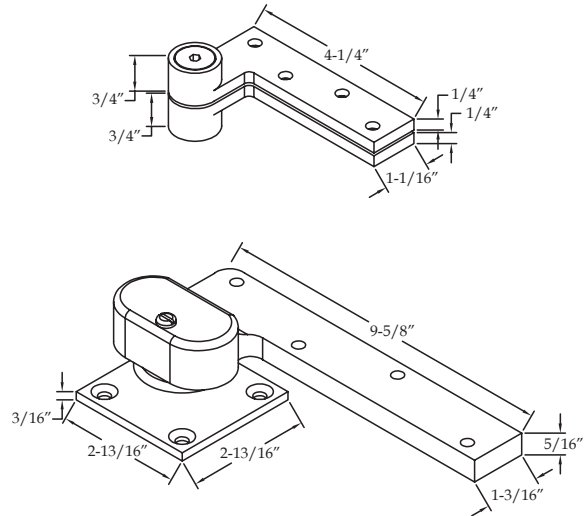
Standard Features

- 0180 Top Pivot
 - Frame leaf mortises into header
 - Door leaf mortises into top of door
- 0147 Bottom Pivot
 - Bottom leaf mounts on top of concrete floor
 - Door leaf mortises into bottom of door
- Handed - Specify LH or RH
- Maximum door load - 600 pounds
- Maximum door width - 48"
- UL listed for use on 3-hour fire rated doors - **Standard**
- Heavy duty bearings
- Stainless steel base material

Options

- **EXTS** - Extended Spindle on bottom pivot (up to 2" longer than standard)
- **EXTP** - Extended Pin on top pivot (up to 3/4" longer than standard)
- **SEC** - Security fasteners
- **B** - Bottom pivot only (no top pivot)

Meets or exceeds
ANSI C07162 & C07202



0147-1.5 Pivot Set - 1-1/2" Offset

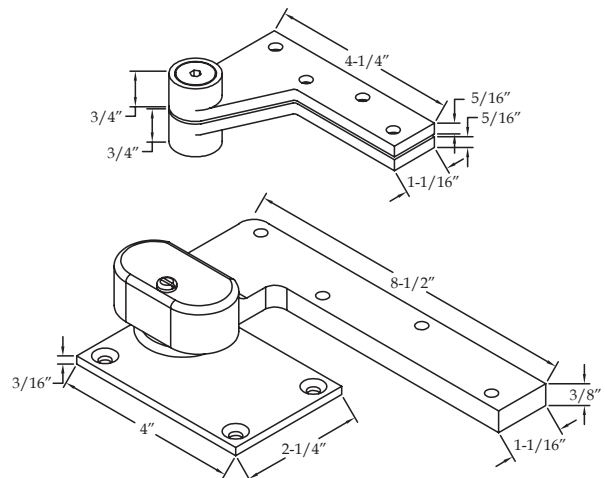
Standard Features

- 0180-1.5 Top Pivot
 - Frame leaf mortises into header
 - Door leaf mortises into top of door
- 0147-1.5 Bottom Pivot
 - Bottom leaf mounts on top of concrete floor
 - Door leaf mortises into bottom of door
- Handed - Specify LH or RH
- Maximum door load - 350 pounds
- Maximum door width - 48"
- UL listed for use on 3-hour fire rated doors - **Standard**
- Heavy duty bearings
- Stainless steel base material

Options

- **EXTS** - Extended Spindle on bottom pivot (up to 2" longer than standard)
- **EXTP** - Extended Pin on top pivot (up to 3/4" longer than standard)
- **SEC** - Security fasteners
- **B** - Bottom pivot only (no top pivot)

Meets or exceeds
ANSI C07162 & C07202



DISTRIBUTED BY



Architectural Builders Hardware Manufacturing, Inc.
1222 Ardmore Avenue, Itasca, IL 60143
Tel: 630-875-9900 • Fax: 630-875-9918 / 800-932-9224
Web: www.abhmfg.com • Email: abhinfo@abhmfg.com

