

## Offset Pivot Sets

### 0165 Pivot Set - 3/4" Offset

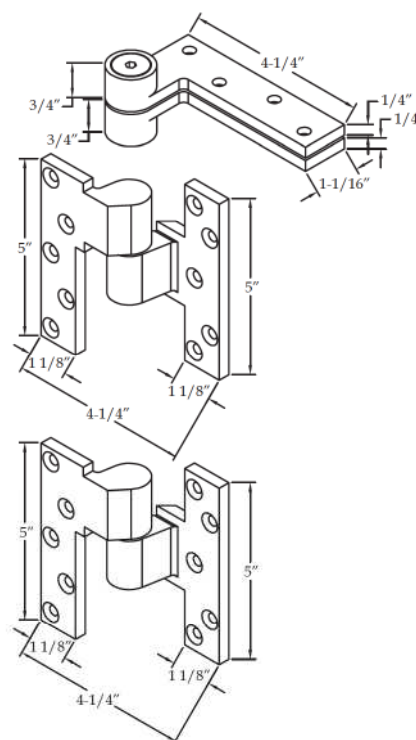
#### Standard Features

- 0180 Top Pivot
  - Frame leaf mortises into header
  - Door leaf mortises into top of door
- (2) 019 Intermediate Pivots
  - Frame leaves mortise into side jamb
  - Door leaves mortise into side of door
- Handed - Specify LH or RH
- For doors without bottom pivot or using floor closer
- Maximum door load - 300 pounds
- Maximum door width - 42"
- Heavy duty stainless steel needle bearings
- Stainless steel base material

#### Options

- **EXTP** - Extended Pin on top pivot (up to 3/4" longer than standard)
- **SEC** - Security fasteners

Meets or exceeds  
ANSI C07162 (modified)



### 0173 Pivot Set - 3/4" Offset

#### Standard Features

- 0180 Top Pivot
  - Frame leaf mortises into header
  - Door leaf mortises into top of door
- 0173 Bottom Pivot
  - Bottom leaf mortises into concrete floor
  - Door leaf mortises into bottom of door
- Handed - Specify LH or RH
- Maximum door load - 150 pounds
- Maximum door width - 36"
- Heavy duty bearings
- Stainless steel base material

#### Options

- **EXTP** - Extended Pin on top pivot (up to 3/4" longer than standard)
- **SEC** - Security fasteners
- **B** - Bottom pivot only (no top pivot)

Meets or exceeds  
ANSI C07162/C07202

