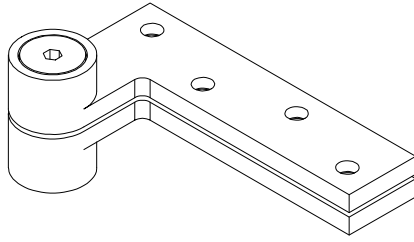
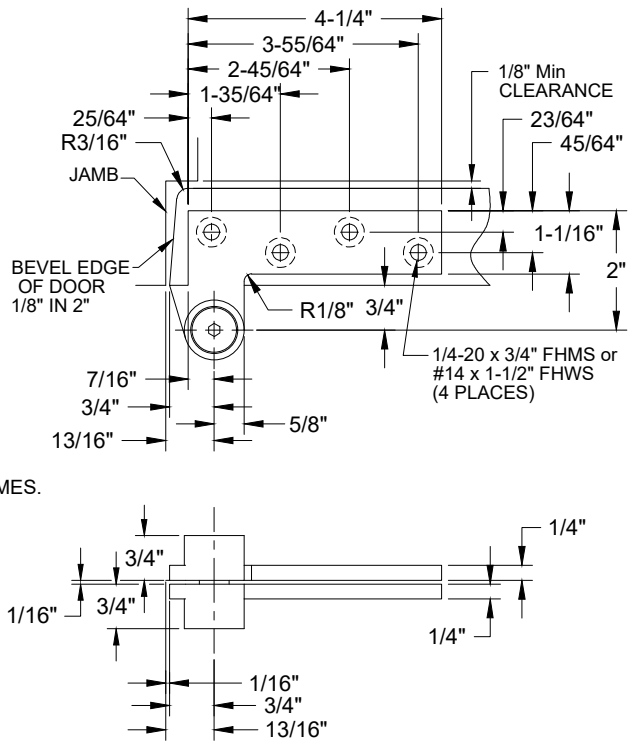


0180 TOP PIVOT, 3/4" OFFSET, NON-HANDED



0180 TOP PIVOT

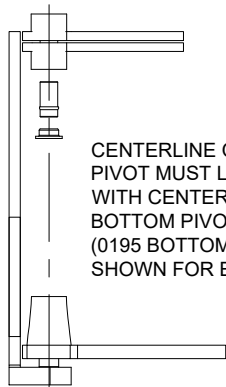


NOTES:

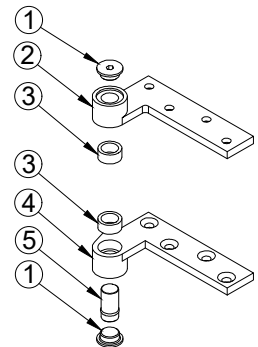
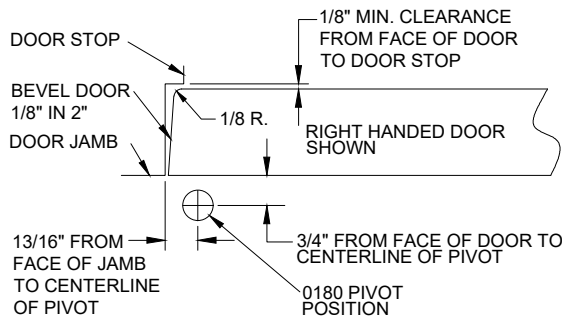
1. PIVOTS DRILLED FOR 1/4-20 x 3/4 FHMS OR #14 x 1-1/2" FHWS.
2. REINFORCING BY OTHERS.
3. IT IS THE DOOR AND FRAME MANUFACTURERS RESPONSIBILITY TO CHECK THE HARDWARE SCHEDULE AND PREP THE DOORS AND FRAMES.
4. MAXIMUM DEGREE OF OPENING, 180°, TRIM PERMITTING.

INSTALLATION INSTRUCTIONS

1. MEASURE $1\frac{3}{16}$ " OUT FROM DOOR JAMB.
2. ALLOW $\frac{1}{8}$ " MIN CLEARANCE FROM DOOR STOP TO DOOR FACE. MEASURE DOOR THICKNESS AND ADD $\frac{3}{4}$ ".
3. WHERE THESE LINES INTERSECT DETERMINES THE CENTERLINE OF THE PIVOT POINT.
4. INSTALL 0180 DOOR PORTION PER TEMPLATE.
5. INSTALL 0180 JAMB PORTION PER TEMPLATE.
6. PUSH 0180 PIVOT PIN IN PLACE AND SECURELY TIGHTEN 0180 END CAP.



CENTERLINE OF TOP PIVOT MUST LINE UP WITH CENTERLINE OF BOTTOM PIVOT/CLOSER (0195 BOTTOM PIVOT SHOWN FOR EXAMPLE).



ITEM NO.	QTY.	PART NO.
1	2	0180 END CAP
2	1	0180 JAMB PORTION
3	2	0180 NEEDLE BEARING
4	1	0180 DOOR PORTION
5	1	0180 PIVOT PIN

Disclaimer: This template is to be used for installation, as shown, of said product and is not suitable for every application method. Custom applications, where door sizes, weights and conflicting hardware are a factor, need to be addressed with ABH and proper instructions provided. ABH is not liable for failure or performance of the product due to improper installation methods and/or use. Improper use and/or installation of this product will void the standard warranty.



www.abhmfg.com
 E-mail: abhinfo@abhmfg.com
 Architectural Builders Hardware Mfg., Inc.
 1222 Ardmore Ave., Itasca, IL 60143
 630.875.9900; FAX 800.9FAXABH (932.9224)

DISTRIBUTED BY



0180-03.DWG

0180

PAGE 1 OF 1

© 2020 ABH Mfg., Inc.
 printed in USA

REVISED 08-31-20