

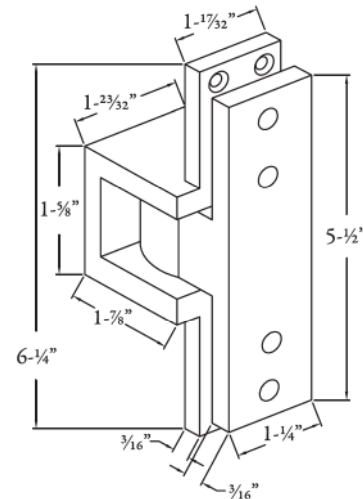
Pocket Pivots

0519 - Pocket Door Pivot

Meets or exceeds
ANSI C07611

Standard Features

- Pivot point is located inside the frame
- Allows door to swing into a pocket in the frame at a right angle
- When the door is in the pocket, it is completely clear of the door opening and flush with adjacent wall
- Maximum door swing is 90°
- Minimum three pocket pivots per door 60" - 90" tall
- Add one pocket pivot for each additional 30" door height
- Maximum door load per pivot - 90 pounds
- Non-handed
- UL listed for use on 3-hour fire rated doors - **Standard**
- Heavy duty stainless steel needle bearings
- Stainless steel base material



Options

- SEC - Security fasteners

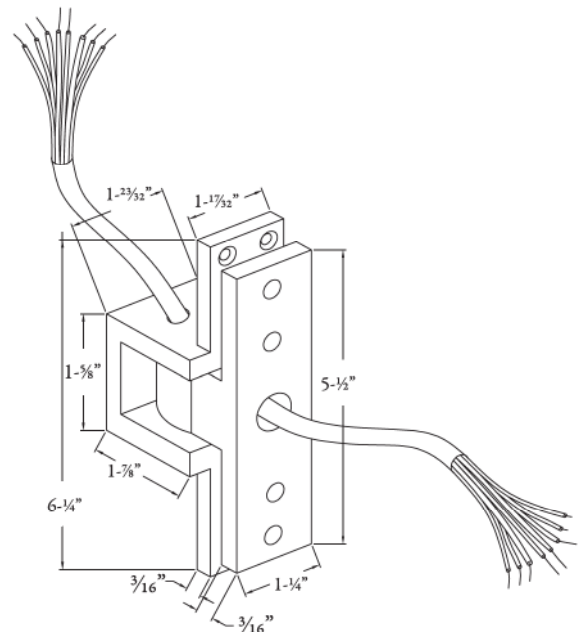
E0519 - Electrified Pocket Door Pivot

Standard Features

- Pivot point is located inside the frame
- Allows door to swing into a pocket in the frame at a right angle
- When the door is in the pocket, it is completely clear of the door opening and flush with adjacent wall
- Maximum door swing is 90°
- Maximum door load per pivot - 90 pounds
- Non-handed
- UL listed for use on 3-hour fire rated doors - **Standard**
- Heavy duty stainless steel needle bearings
- Stainless steel base material

Options

- EZ - EZ Connect Molex® Connectors for installation ease
- SEC - Security fasteners



Architectural Builders Hardware Manufacturing, Inc.
1222 Ardmore Avenue, Itasca, IL 60143
Tel: 630-875-9900 • Fax: 630-875-9918 / 800-932-9224
Web: www.abhmfg.com • Email: abhinfo@abhmfg.com