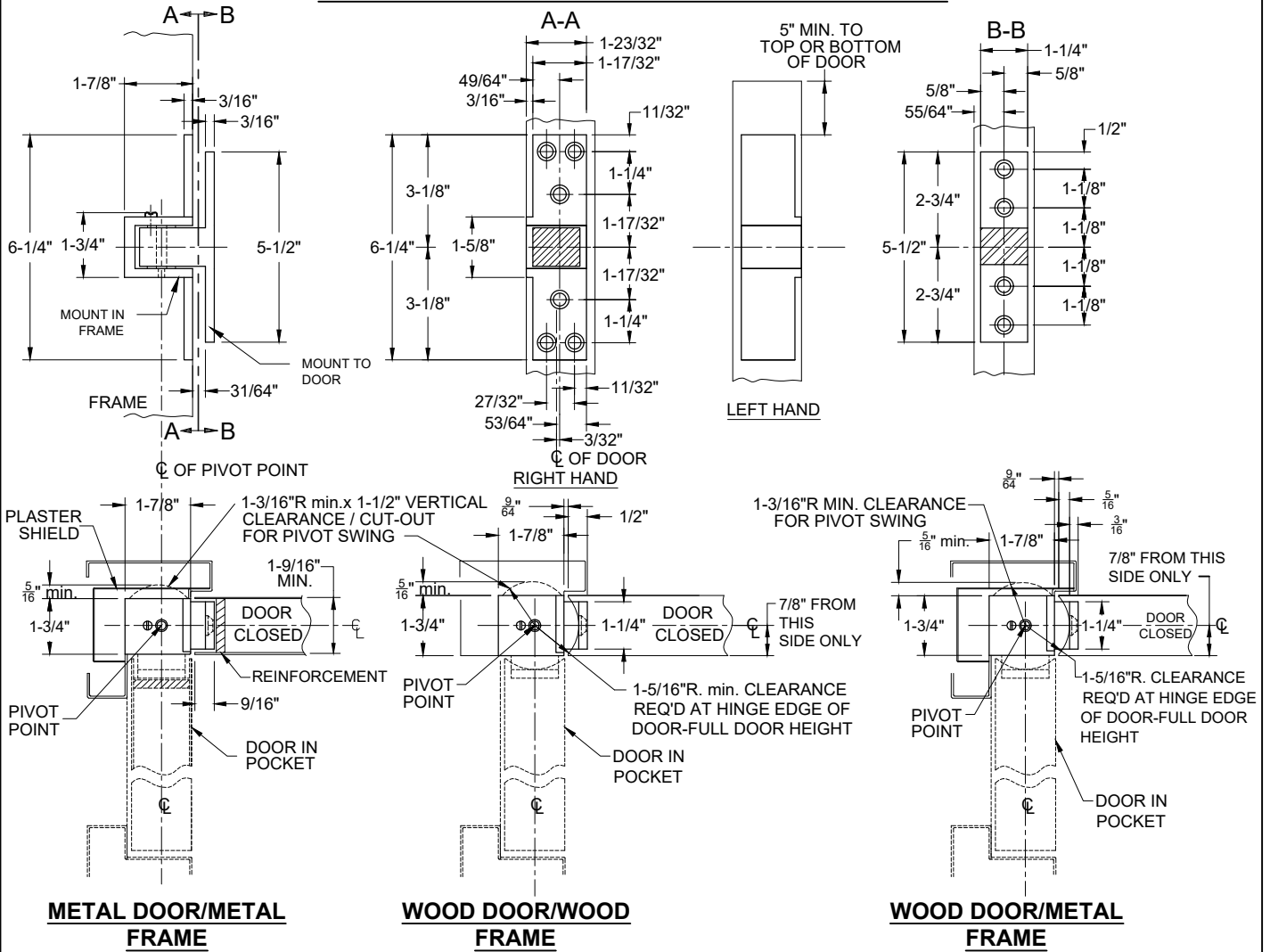


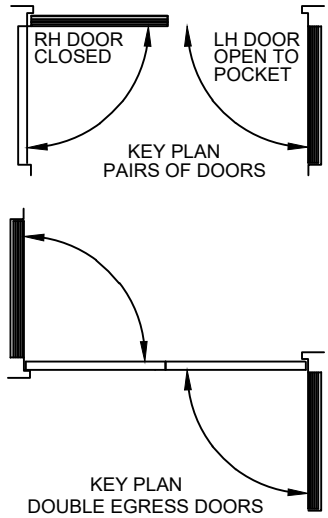
# 0519 POCKET PIVOT, NON-HANDED



**METAL DOOR/METAL FRAME**

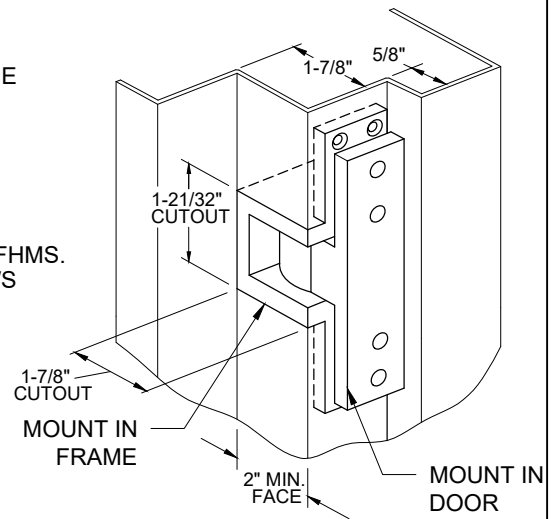
**WOOD DOOR/WOOD FRAME**

**WOOD DOOR/METAL FRAME**



**NOTES:**

1. CLEARANCE BETWEEN DOOR & FRAME IS 7/64 ON HINGE SIDE.
2. TO MEET UL STANDARD- ONE (1) PIVOT FOR EVERY 30" OF DOOR HEIGHT ONE (1) PIVOT FOR EVERY 90 LBS. OF DOOR WEIGHT
3. MACHINE SCREWS ARE #12-24 X 3/4" FHMS. WOOD SCREWS ARE #12 X 1-1/2" FHWS
4. ALL DIMENSION ARE IN INCHES
5. DO NOT SCALE DRAWING.



**Disclaimer:** This template is to be used for installation, as shown, of said product and is not suitable for every application method. Custom applications, where door sizes, weights and conflicting hardware are a factor, need to be addressed with ABH and proper instructions provided. ABH is not liable for failure or performance of the product due to improper installation methods and/or use. Improper use and/or installation of this product will void the standard warranty.



www.abhmfg.com  
 E-mail: abhinfo@abhmfg.com  
 Architectural Builders Hardware Mfg., Inc.  
 1222 Ardmore Ave., Itasca, IL 60143  
 630.875.9900; FAX 800.9FAXABH (932.9224)



0519-04.DWG

0519

© 2020 ABH Mfg., Inc.  
 printed in USA

PAGE 1 OF 1  
 REVISED 09-03-20