

## Offset Pivot Set & Reinforcing Pivot

### 0547 Pivot Set - 3/4" Offset

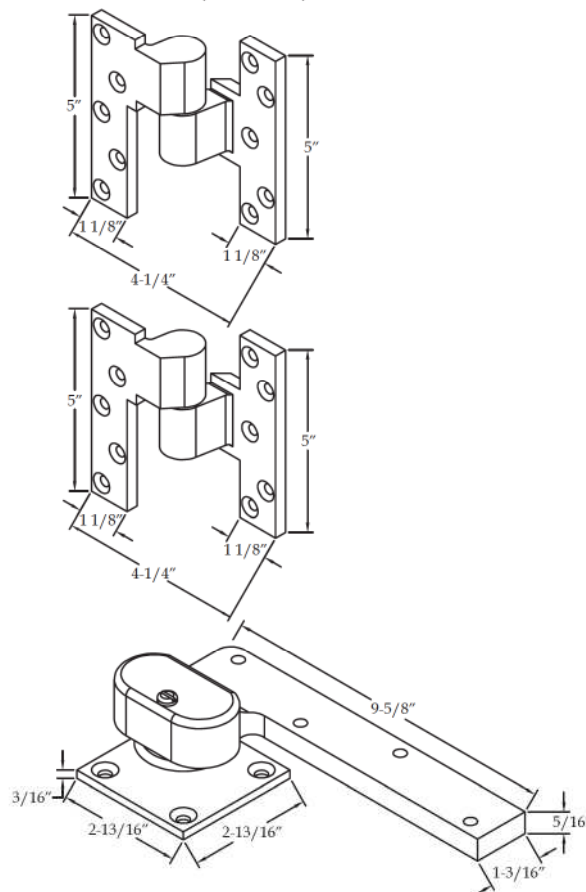
#### Standard Features

- (2) 019 Intermediate Pivots
  - Frame leaves mortise into side jamb
  - Door leaves mortise into hinge edge of door
- 0147 Bottom Pivot
  - Bottom leaf mounts on top of finished floor
  - Door leaf mortises into bottom of door
- Handed - Specify LH or RH
- For doors using Overhead Concealed Closers
- Maximum door load - 500 pounds
- Maximum door width - 42"
- Heavy duty bearings
- Stainless steel base material

#### Options

- EXTS - Extended Spindle on bottom pivot (up to 2" longer than standard)
- SEC - Security fasteners

Meets or exceeds  
ANSI C07162 (modified)



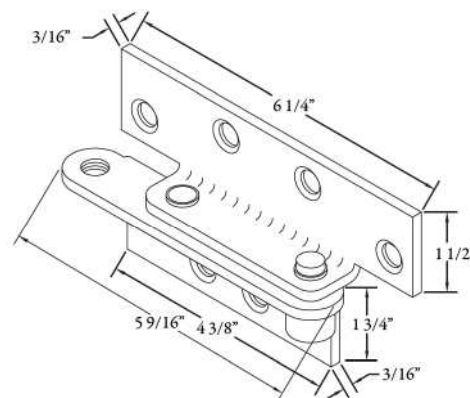
### 0923 Reinforcing Pivot

#### Standard Features

- Helps take load off failing top hinge and eliminate door sag
- Surface mounts to the face of the frame header and face of the door
- Matches pivot point of a standard 4 1/2" butt hinge
- Non-handed
- Maximum door load - 300 pounds
- Cold-rolled steel, zinc plated - US2G finish
- For 1/8" inset door with 3/4" offset

#### Options

- SEC - Security fasteners



Architectural Builders Hardware Manufacturing, Inc.  
1222 Ardmore Avenue, Itasca, IL 60143  
Tel: 630-875-9900 • Fax: 630-875-9918 / 800-932-9224  
Web: [www.abhmfg.com](http://www.abhmfg.com) • Email: [abhinfo@abhmfg.com](mailto:abhinfo@abhmfg.com)