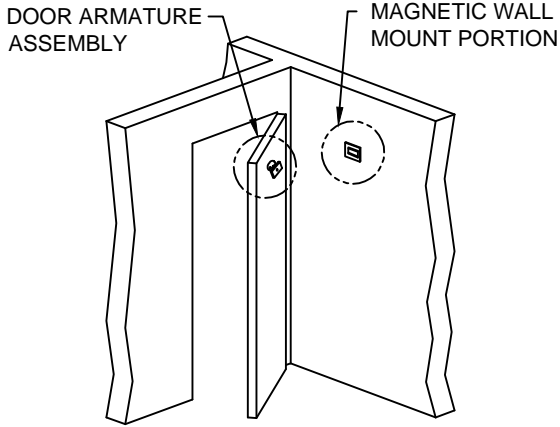
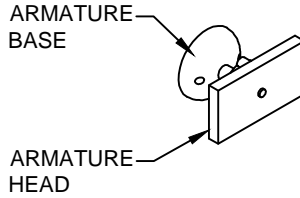


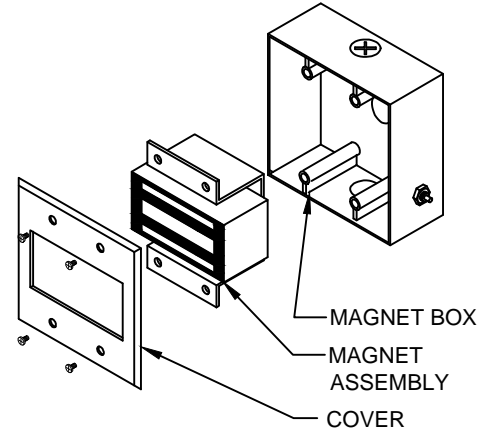
2510 ELECTROMAGNETIC DOOR HOLDER, HEAVY DUTY SURFACE WALL MOUNT



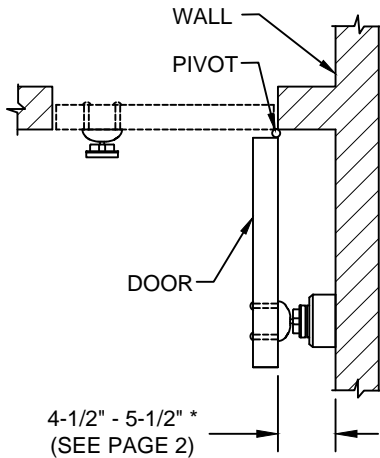
FRONT VIEW



DOOR ARMATURE ASSEMBLY



2510 MAGNETIC WALL PORTION



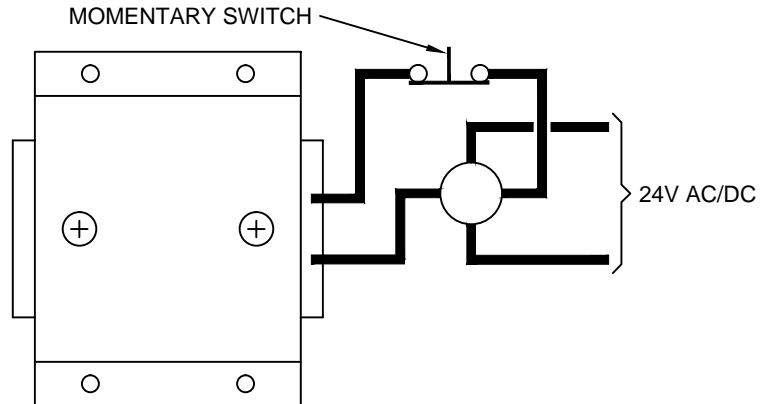
TOP VIEW

ELECTRICAL DATA:

THIS PRODUCT IS AN ELECTROMAGNETIC HOLDING DEVICE INTENDED FOR USE IN A DRY INTERIOR ENVIRONMENT FOR FIRE DOOR APPLICATIONS BUT CAN BE USED FOR OTHER MAGNETIC APPLICATIONS. WIRE INTO PROPER TERMINALS AS NOTED BELOW:

MODEL	VOLTAGE	mA	VA	TERMINALS
2510	24 AC/DC	105	1.26	Com & 24 v

INPUT CURRENT SHALL NOT EXCEED THE MARKED RATING

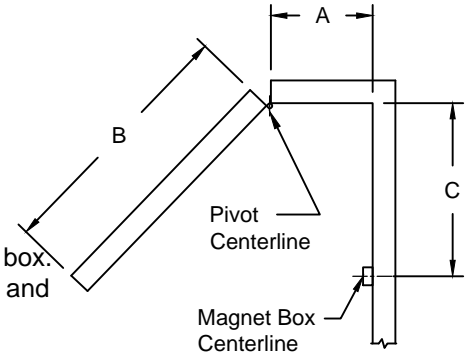


SCREW DETAIL		
	QTY	SCREW
MAGNETIC WALL PORTION & COVER	4	6-32 x 3/4" OVAL HEAD MACHINE SCREW
DOOR ARMATURE	2	10-32 x 1" PAN HEAD MACHINE SCREW
	2	10-32 x 1-1/4" SNB

2510 ELECTROMAGNETIC DOOR HOLDER, HEAVY DUTY

WALL PORTION INSTALLATION: SURFACE WALL MOUNT

1. Measure distance from pivot centerline to wall (Dim. "A").
2. Determine door width (Dim. "B").
3. Use table below to locate magnet box on wall (Dim. "C").
 - a. Example : Dim. "A" = 10" Dim. "B" = 42" Result Dim. "C" = 39".
 - b. If Dim. "A" or Dim. "B" Falls between dimensions listed in the table below, allow for difference.
Example : Dim. "A" = 7" Dim. "B" = 36" Estimated Dim. "C" = 33-1/8"
 - c. If Dim. "A" and Dim. "B" intersect in the shaded area, **DO NOT INSTALL** magnet box. The degree of door opening will not allow for proper alignment between armature and wall magnet.
4. Suggested vertical location is 2'0" TO 4'0" from the floor and/or not over 6'0".
5. Check degree of door opening shown in table and coordinate with door closer and other door hardware.
6. Total projection of door hardware must not be more than 5-1/2" on the pull side of door. If greater, you will need to use additional extensions, sold separately.



		DIM. "B" (DOOR WIDTH)																							
Dim. "A"	Dim "C" Deg	28		30		32		34		36		38		40		42		44		46		48			
		Dim "C"	Deg	Dim "C"	Deg	Dim "C"	Deg	Dim "C"	Deg	Dim "C"	Deg	Dim "C"	Deg	Dim "C"	Deg	Dim "C"	Deg	Dim "C"	Deg	Dim "C"	Deg	Dim "C"	Deg		
2	25-1/4 84°	27-1/4 85°	29-1/4 85°	31-1/4 85°	33-1/4 86°	35-1/4 86°	37-1/4 86°	39-1/4 86°	41-1/4 87°	43-1/4 87°	45-1/4 87°														
4	25-3/8 89°	27-3/8 89°	29-3/8 89°	31-3/8 89°	33-3/8 89°	35-3/8 89°	37-3/8 89°	39-3/8 89°	41-3/8 89°	43-3/8 89°	45-3/8 89°														
6	25-3/8 93°	27-3/8 93°	29-3/8 93°	31-3/8 93°	33-3/8 93°	35-3/8 92°	37-3/8 92°	39-3/8 92°	41-3/8 92°	43-3/8 92°	45-3/8 92°														
8	25-1/8 98°	27-1/8 97°	29-1/8 97°	31-1/8 96°	33-1/4 96°	35-1/4 96°	37-1/4 95°	39-1/4 95°	41-1/4 95°	43-1/4 95°	45-1/4 94°														
10	24-3/4 103°	26-7/8 102°	28-7/8 101°	30-7/8 100°	32-7/8 99°	35 99°	37 98°	39 98°	41 98°	43 97°	45 97°														
12	24-1/4 107°	26-3/8 106°	28-3/8 105°	30-1/2 104°	32-1/2 103°	34-5/8 102°	36-5/8 102°	38-5/8 101°	40-3/4 100°	42-3/4 100°	44-3/4 100°														
14	23-1/2 112°	25-5/8 110°	27-3/4 109°	29-7/8 108°	32 107°	34-1/8 106°	36-1/8 105°	38-1/4 104°	40-1/4 103°	42-3/8 103°	44-3/8 102°														
16	22-5/8 117°	24-7/8 115°	27 113°	29-1/4 112°	31-3/8 110°	33-3/4 109°	35-3/4 108°	37-5/8 107°	39-3/4 106°	41-7/8 105°	43-7/8 105°														
18	21-1/2 122°	23-7/8 120°	26-1/8 117°	28-3/8 115°	30-1/2 114°	32-3/4 112°	34-7/8 111°	37 110°	39-1/8 109°	41-1/4 108°	43-3/8 107°														
20			25 122°	27-1/4 120°	29-1/2 118°	31-3/4 116°	34 115°	36-1/4 113°	38-3/8 112°	40-1/2 111°	42-5/8 110°														
22					28-3/8 122°	30-3/4 120°	33 118°	35-1/4 116°	37-1/2 115°	39-3/4 114°	41-7/8 113°														
24						29-3/4 123°	31-7/8 121°	34-1/4 120°	36-1/2 118°	38-3/4 117°	41 115°														
26												33 123°	35-3/8 121°	37-5/8 120°	40 118°										

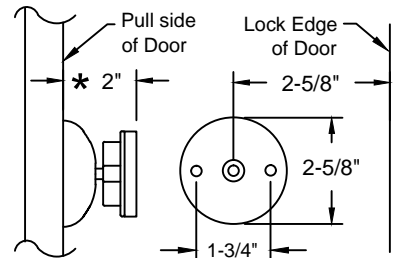
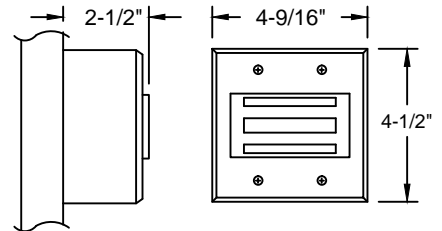
7. From corner of wall, measure the appropriate Dim. "C" determined in step 3.
8. Proper electrical wire routing must be done before installing magnet box.
9. The outlet box should be installed with reinforcement to withstand a minimum 400 lb. pull.
10. Before installing magnetic wall portion, consult " ELECTRICAL DATA" on page 1.

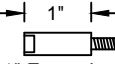
IMPORTANT : Check that power voltage equals voltage labeled on back of magnet.

DOOR ARMATURE INSTALLATION:

1. Place and center the door armature on the surface of the magnet with the two holes of the base aligned horizontally.
2. Gently close the door and adjust the angle of the door armature so the base lays flat against the door.
3. While keeping slight pressure on the door, mark location of door armature through the two base holes.
4. Drill through the door where the two marks are located with 5/16" drill. Fasten with the (2)10-32 machine screws & sex bolts provided.

NOTE: 1. All dimensions are provided in inches, unless noted otherwise.
2. Additional extensions can be ordered separately to increase the door armature projection: 3/8", 1/2", 3/4", 1", 2", 4" or 6".



* For 3" Door Projection, use 1" Extension provided complimentary
 1" Extension



www.abhmfg.com
 E-mail: abhinfo@abhmfg.com
 Architectural Builders Hardware Mfg., Inc.
 1222 Ardmore Ave., Itasca, IL 60143
 630.875.9900; FAX 800.9FAXABH (932.9224)

© 2019 ABH Mfg., Inc.
 printed in USA

2510-2-05.DWG

2510

PAGE 2 OF 2
 ISSUED 03-08-19

