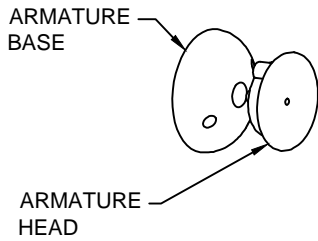
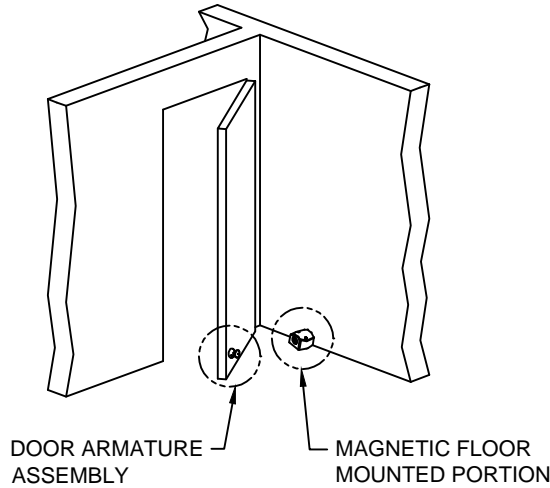


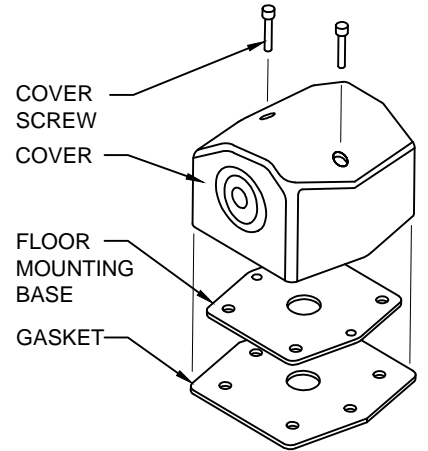
2600 ELECTROMAGNETIC DOOR HOLDER, SINGLE FLOOR MOUNT



DOOR ARMATURE ASSEMBLY



FRONT VIEW

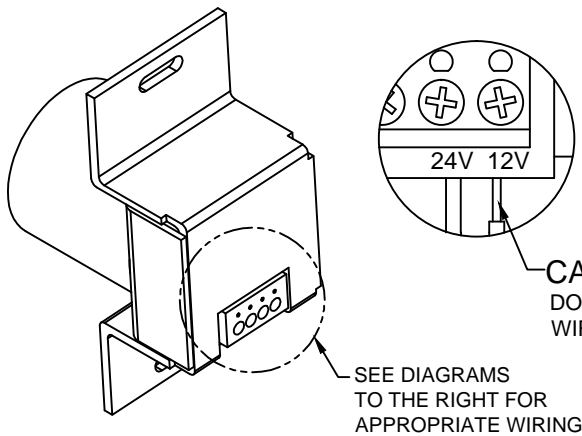


2600 MAGNETIC FLOOR MOUNTING PORTION

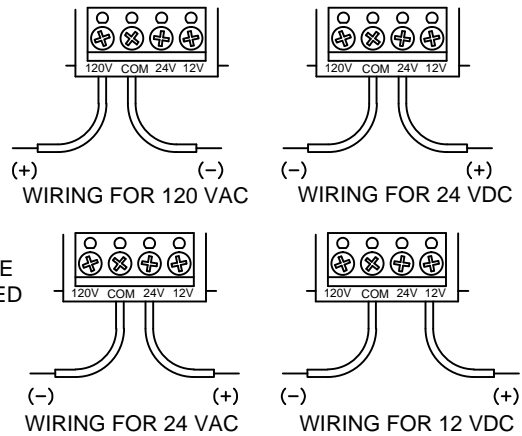
ELECTRICAL DATA:

THIS PRODUCT IS AN ELECTROMAGNETIC HOLDING DEVICE, INTENDED FOR USE IN FIRE DOOR APPLICATIONS, BUT CAN BE USED FOR OTHER MAGNETIC APPLICATIONS. WIRE INTO PROPER TERMINALS AS NOTED BELOW:

SERIES	VOLTAGE	DC/mA	DC/VA	AC/mA	AC/VA	TERMINALS
2600	12 DC	60	.72			Com & 12 v
	24 AC/DC	30	.72	30	.72	Com & 24 v
	120 AC			30	3.60	Com & 120 v



CAUTION:
DO NOT LEAVE WIRE EXPOSED



SCREW DETAIL		
	QTY	SCREW
MAGNETIC BASE PORTION	4	5/16" x 2-1/2" LAG SHIELD x 5/8" DIA.
		5/16" x 2-1/2" HEX LAG SCREW
MAGNETIC COVER	2	1/4-20 x 1-1/4" SOCKET HEX LAG SCREW
DOOR ARMATURE	2	10-32 x 1" PAN HEAD MACHINE SCREW
		10-32 x 1-1/4" SNB



www.abhmfg.com
E-mail: abhinfo@abhmfg.com
Architectural Builders Hardware Mfg., Inc.
1222 Ardmore Ave., Itasca, IL 60143
630.875.9900; FAX 800.9FAXABH (932.9224)

ABH is a minority owned and operated manufacturing company.

©2015 ABH Mfg., Inc. printed in USA

2600-1-03.DWG

2600

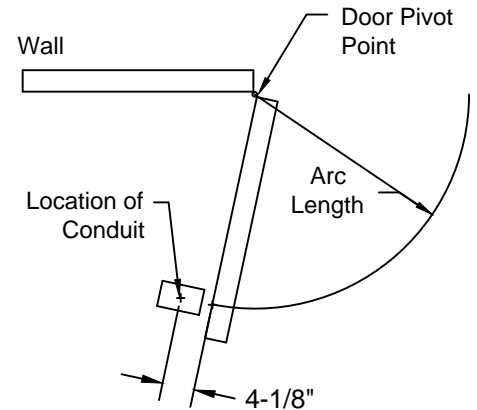
PAGE 1 OF 2
REVISED 07-13-15



2600 ELECTROMAGNETIC DOOR HOLDER, SINGLE FLOOR MOUNT

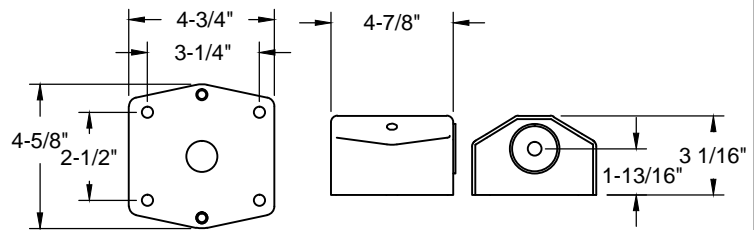
FLOOR MAGNET LOCATION

- Find the following:
 - Pivot point of door
 - Door Width
 - Maximum degree of door opening permitted by door opener.
(Note: trim and partition clearance needed)
- Determine arc length by subtracting 5-5/8" from width of door.
Example :
Door width 36" - 5-5/8" = 30-3/8" (Arc length)
- Determine degree of desired door opening with consideration for partition.
Allow 6" dia. clearance around conduit and any partition for 2600 series Assembly (see drawing to the right)
(Conduit should be located on THE arc and 4-1/8" from the pull side of door, when the door is at the maximum degree of door opening)



FLOOR MAGNET INSTALLATION :

- Locate magnet assembly on pull side of door near bottom rail.
Approximately 6" from lock edge using floor mounting base as template.
- Using marked locations, drill mounting holes in floor for 5/8" floor anchors.
- Mount gasket and magnet base to floor using 5/8" anchors and screws.
- For electrical wiring detail, consult " ELECTRICAL DATA" on page 1.



Floor Mounting Base

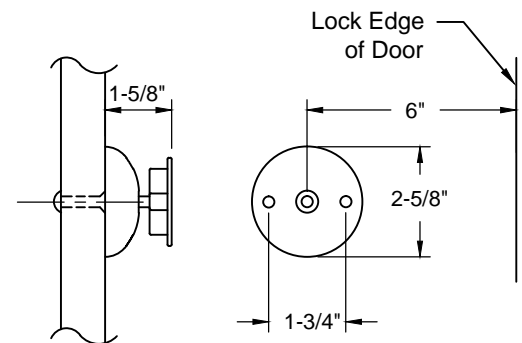
Floor Magnet Assembly

IMPORTANT : Check that power voltage equals one of the voltages labeled on back of magnet.

- Assemble cover to base plate using provided mounting screws.

DOOR ARMATURE INSTALLATION:

- With the magnet box securely fastened, aligned and energized, place and center the door armature on the surface of the magnet with the two holes of the base aligned either vertically or horizontally.
- Gently close the door and adjust the angle of the door armature so the base lays flat against the door.
- While keeping slight pressure on the door, mark location of door armature through the two base holes. The two marks should be 1-3/4" apart and the center line of the door armature should be approximately 6" from the lock edge of the door.
- Drill through the door where the two marks are located with 5/16" drill.
Fasten armature with the (2)10-32 machine screws & sex bolts provided.



NOTE: All dimensions are provided in inches, unless noted otherwise.

ABH® www.abhmfg.com
E-mail: abhinfo@abhmfg.com
Architectural Builders Hardware Mfg., Inc.
1222 Ardmore Ave., Itasca, IL 60143
630.875.9900; FAX 800.9FAXABH (932.9224)

ABH is a minority owned and operated manufacturing company.

©2015 ABH Mfg., Inc.
printed in USA

2600-2-03.DWG

2600

PAGE 2 OF 2
REVISED 07-13-15