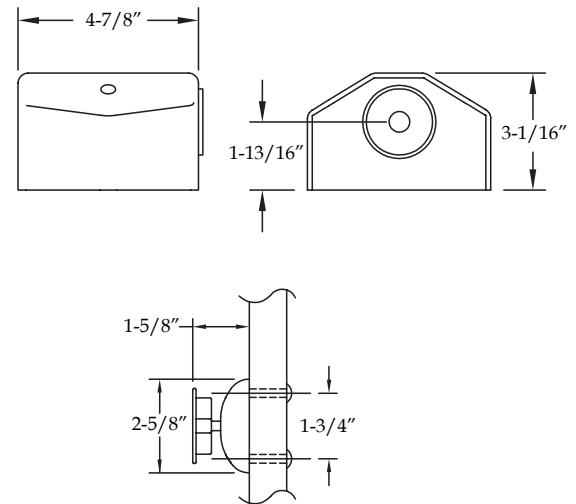


Floor Mount

2600 – Single Floor Mount

Standard Features

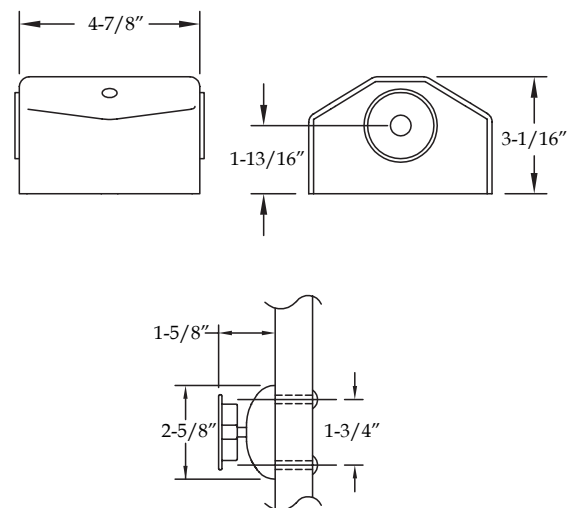
- Tri-voltage units for easy stocking and installation 12V DC, 24V AC/DC or 120V AC
- Provided with one complimentary 1" extension - **No charge**
- Optional extension rods fill the gap between the magnet and door armature with **no special adapter piece required (see page D-8)**.
- 35 lb. holding force
- All metal components - **No plastic parts**
- UL/ULC listed for smoke barrier or labeled fire doors
- Listed by the California State Fire Marshall
- Outlet box required (not provided)
- Armature features two pivot points which each have 360° mobility to help door alignment and reduce installation time
- Positive release button alleviates residual magnetism
- Average weight per unit = 6 lbs.



2700 – Double Floor Mount

Standard Features

- Tri-voltage units for easy stocking and installation 12V DC, 24V AC/DC or 120V AC
- Provided with two complimentary 1" extensions - **No charge**
- Optional extension rods fill the gap between the magnet and door armature with **no special adapter piece required (see page D-8)**
- 35 lb. holding force
- All metal components - **No plastic parts**
- UL/ULC listed for smoke barrier or labeled fire doors
- Listed by the California State Fire Marshall
- Armature features two pivot points which each have 360° mobility to help door alignment and reduce installation time
- Positive release button alleviates residual magnetism
- Average weight per unit = 8 lbs.



(Two doors armatures provided)

