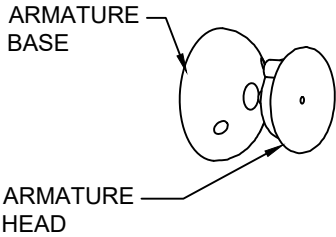
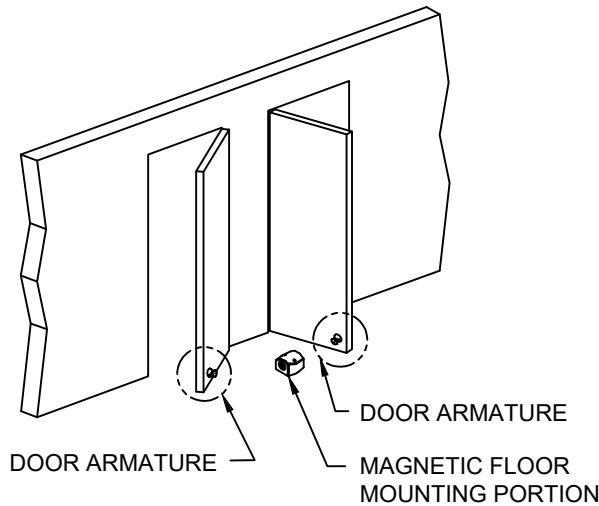


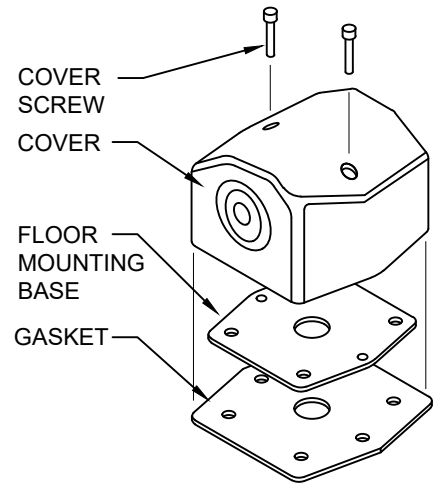
# 2700 ELECTROMAGNETIC DOOR HOLDER, DOUBLE FLOOR MOUNT



**DOOR ARMATURE ASSEMBLY**



**FRONT VIEW**

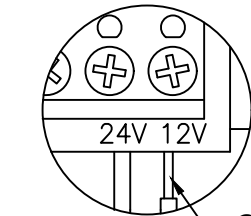
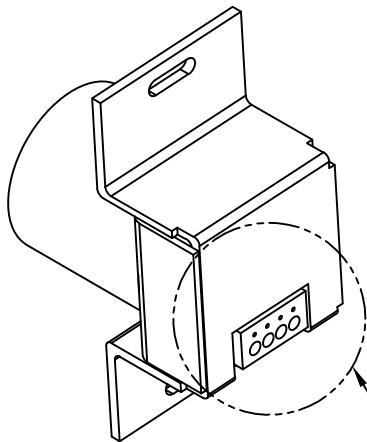


**2700 MAGNETIC FLOOR MOUNTING PORTION**

## ELECTRICAL DATA

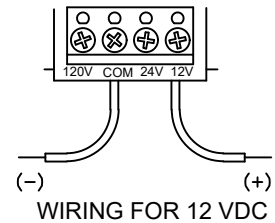
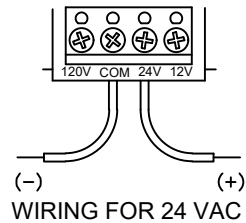
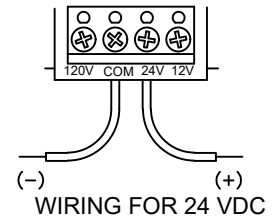
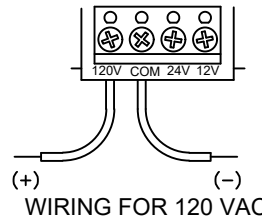
THIS PRODUCT IS AN ELECTROMAGNETIC HOLDING DEVICE, INTENDED FOR USE IN FIRE DOOR APPLICATIONS BUT CAN BE USED FOR OTHER MAGNETIC APPLICATIONS. WIRE INTO PROPER TERMINALS AS NOTED BELOW:

| SERIES | VOLTAGE  | DC/mA | DC/VA | AC/mA | AC/VA | TERMINALS   |
|--------|----------|-------|-------|-------|-------|-------------|
| 2700   | 12 DC    | 60    | .72   |       |       | Com & 12 v  |
|        | 24 AC/DC | 30    | .72   | 30    | .72   | Com & 24 v  |
|        | 120 AC   |       |       | 30    | 3.60  | Com & 120 v |



**CAUTION:**  
DO NOT LEAVE WIRE EXPOSED

SEE DIAGRAMS TO THE RIGHT FOR APPROPRIATE WIRING



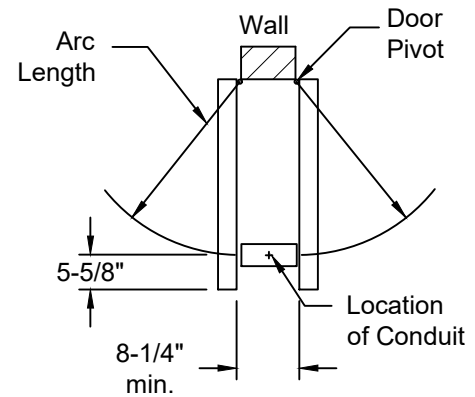
### SCREW DETAIL

|                       | QTY | SCREW   |
|-----------------------|-----|---|
| MAGNETIC BASE PORTION | 4   | 5/16" x 2-1/2" LAG SHIELD x 5/8" DIA.<br>5/16" x 2-1/2" HEX LAG SCREW |
| MAGNETIC COVER        | 2   | 1/4-20 x 1-1/4" SOCKET HEX LAG SCREW                                  |
| DOOR ARMATURE         | 4   | 10-32 x 1" PAN HEAD MACHINE SCREW<br>10-32 x 1-1/4" SNB               |

# 2700 ELECTROMAGNETIC DOOR HOLDER, DOUBLE FLOOR MOUNT

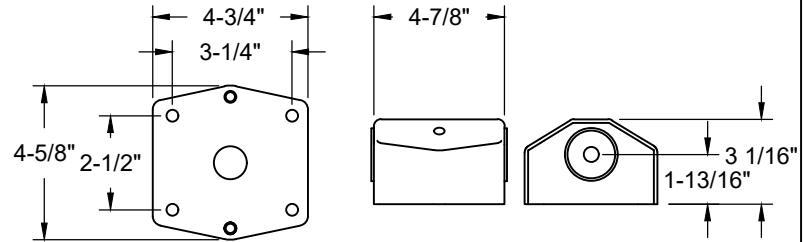
## FLOOR MAGNET LOCATION

- Find the following:
  - Pivot point of door
  - Door Width
  - Maximum degree of door opening permitted by door opener.  
(Note trim and partition clearance needed)
- Determine arc length by subtracting 5-5/8" from width of door.  
Example :  
Door width 36" - 5-5/8" = 30-3/8" (Arc length)
- Strike arc lengths from pivot points of doors. Conduit should be located at intersection of arcs. (see drawing to the right)
- Minimum 8-1/4" space required between pull side of doors for full 90° opening. Maximum door opening 130°.



## FLOOR MAGNET INSTALLATION :

- Locate magnet assembly on pull side of door near bottom rail. Approximately 6" from lock edge using floor mounting base as template.
- Using marked locations, drill mounting holes in floor for 5/8" floor anchors.
- Mount gasket and magnet base to floor using 5/8" anchors and screws.
- For electrical wiring detail, consult " ELECTRICAL DATA" on page 1.



Floor Mounting  
Base

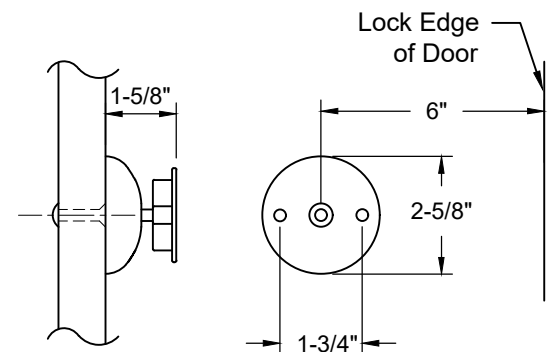
Floor Magnet  
Assembly

**IMPORTANT :** Check that power voltage equals one of the voltages labeled on back of magnet.

- Assemble cover to base plate using provided mounting screws.

## DOOR ARMATURE INSTALLATION:

- With the magnet box securely fastened, aligned and energized, place and center the door armature on the surface of the magnet with the two holes of the base aligned either vertically or horizontally.
- Gently close the door and adjust the angle of the door armature so the base lays flat against the door.
- While keeping slight pressure on the door, mark location of door armature through the two base holes. The two marks should be 1-3/4" apart and the center line of the door armature should be approximately 6" from the lock edge of the door.
- Drill through the door where the two marks are located with 5/16" drill. Fasten armature with the (2)10-32 machine screws & sex bolts provided.



**NOTE:** All dimensions are provided in inches, unless noted otherwise.

**ABH**  
MANUFACTURING INC.

www.abhmfg.com

E-mail: abhinfo@abhmfg.com

Architectural Builders Hardware Mfg., Inc.

1222 Ardmore Ave., Itasca, IL 60143

630.875.9900; FAX 800.9FAXABH (932.9224)

DISTRIBUTED BY

**AHS** ACCESS HARDWARE SUPPLY  
accesshardware.com

2600-2-04.DWG

2700

© 2020 ABH Mfg., Inc.  
printed in USA

PAGE 2 OF 2  
ISSUED 12-10-20