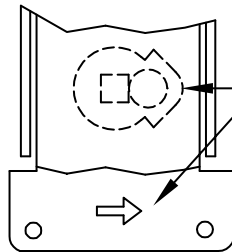
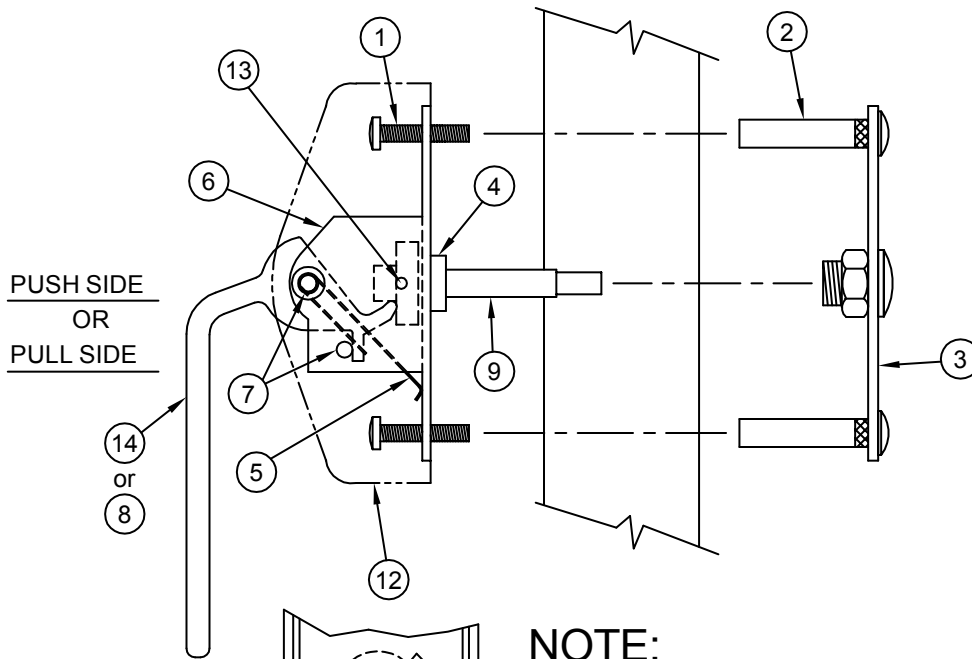
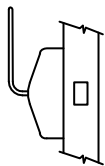


6040 EXIT ONLY PUSH/PULL LATCH

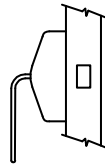


NOTE:
BEFORE MOUNTING PUSH OR PULL HANDLE,
CAM PIN MUST BE ROTATED TOWARD SIDE
INDICATED BY ARROW STAMPED ON BASE

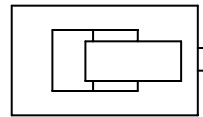
PUSH SIDE SHOWN FOR EXAMPLE



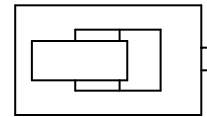
LEVER
UP



LEVER
DOWN



LEVER
HORIZONTAL
WITH 7"
BACKSET



LEVER
HORIZONTAL
WITH 5" OR 7"
BACKSET

ITEM	QTY	PART	ITEM	QTY	PART
1	4	10-32 X 1-1/2" PAN HD M.S.	9	1	CAM ASSEMBLY (MALE)
2	4	10-32 X 1", 5/16 O.D. SEX BOLT	10		
3	1	EXIT ONLY PLATE ASSEMBLY	11		
4	1EA	WASHERS & C-RING	12	1	COVER
5	1	SPRING	13	2	8-32 X 3/8" F.H.M.S.
6	1	MOUNTING BRACKET	14	1	PUSH SIDE HANDLE
7	2EA	HANDLE SHAFT & COTTER PIN	15		
8	1	PULL SIDE HANDLE	16		



www.abhmfg.com
E-mail: abhinfo@abhmfg.com
Architectural Builders Hardware Mfg., Inc.
1222 Ardmore Ave., Itasca, IL 60143
630.875.9900; FAX 800.9FAXABH (932.9224)



©2014 ABH Mfg., Inc.
printed in USA

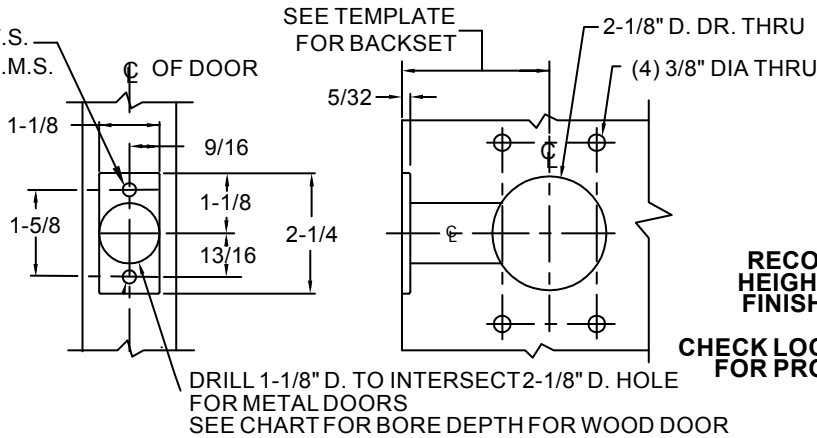
6040

REVISED 09-16-14

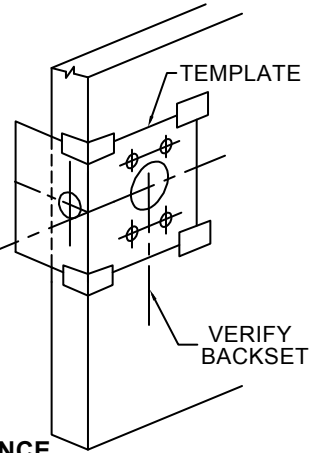
DOOR PREP

1. Install door
2. Locate horizontal centerline on door
3. Verify backset (2-3/4", 3-3/4", 5" or 7"). Tape template to door.

WOOD DOOR	
BACK SET	DEPTH OF BORE
2-3/4"	4-3/8"
3-3/4"	5-3/8"
5"	6-5/8"
7"	8-5/8"

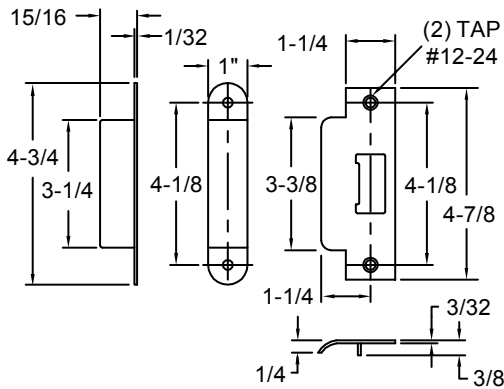
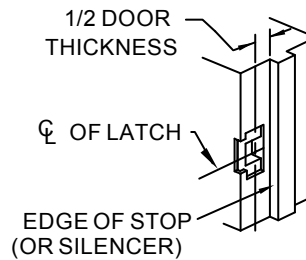


ADA RECOMMENDED HEIGHT 44" FROM FINISHED FLOOR OR- CHECK LOCAL ORDINANCE FOR PROPER HEIGHT

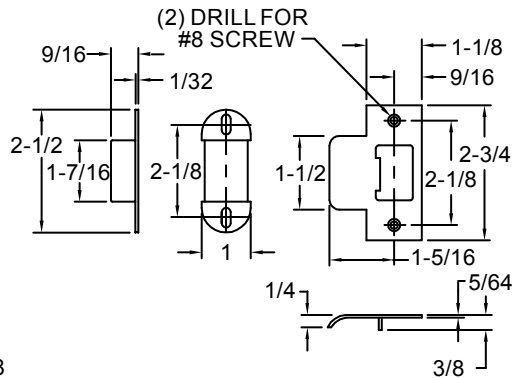


FRAME PREP

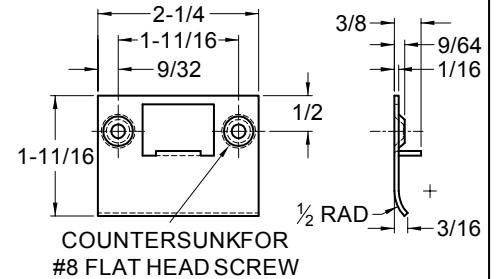
1. Mark centerline of latch bolt on frame
2. Center strike and mark screw positions
3. Mortise to required strike and box depth



ASA STRIKE & BOX



STANDARD STRIKE & BOX



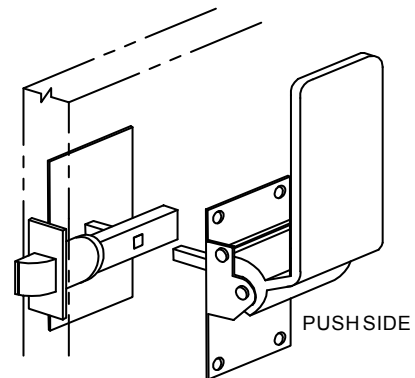
FULL LIP STRIKE ("D" STRIKE)

ALL DIMENSIONS IN INCHES

LATCH/HANDLE ASSEMBLY

1. Install latch bolt. Radius portion of latch bolt must face push side of door.
2. Install push or pull side handle assembly* with latch shaft thru latch bolt assembly.
3. Mount Exit only plate and install using (4) 10-32 screws with (4) 10-32 sex bolts.
4. Mount Cover.

* CAM PIN MUST BE ROTATED TOWARD SIDE INDICATED BY ARROW STAMPED ON BASE SEE DRAWING ON FRONT OF TEMPLATE



www.abhmfg.com

E-mail: abhinfo@abhmfg.com
 Architectural Builders Hardware Mfg., Inc.
 1222 Ardmore Ave., Itasca, IL 60143
 630.875.9900; FAX 800.9FAXABH (932.9224)

©2014 ABH Mfg., Inc.
 printed in USA

6040-2-06.DWG

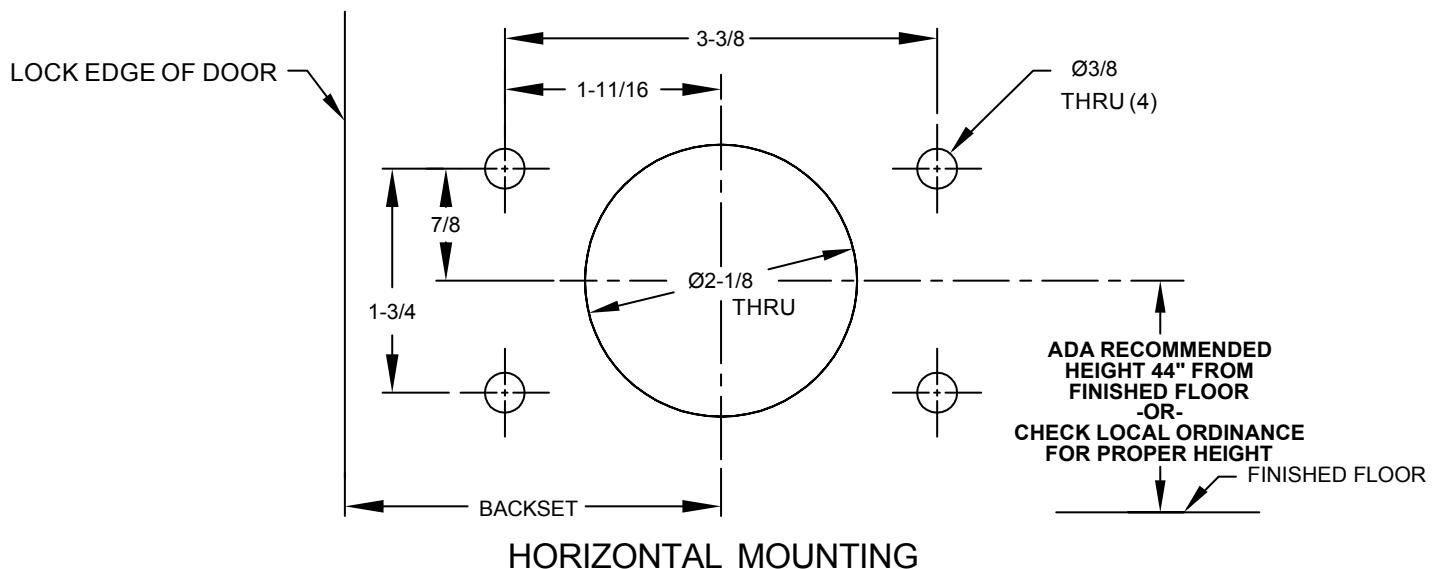
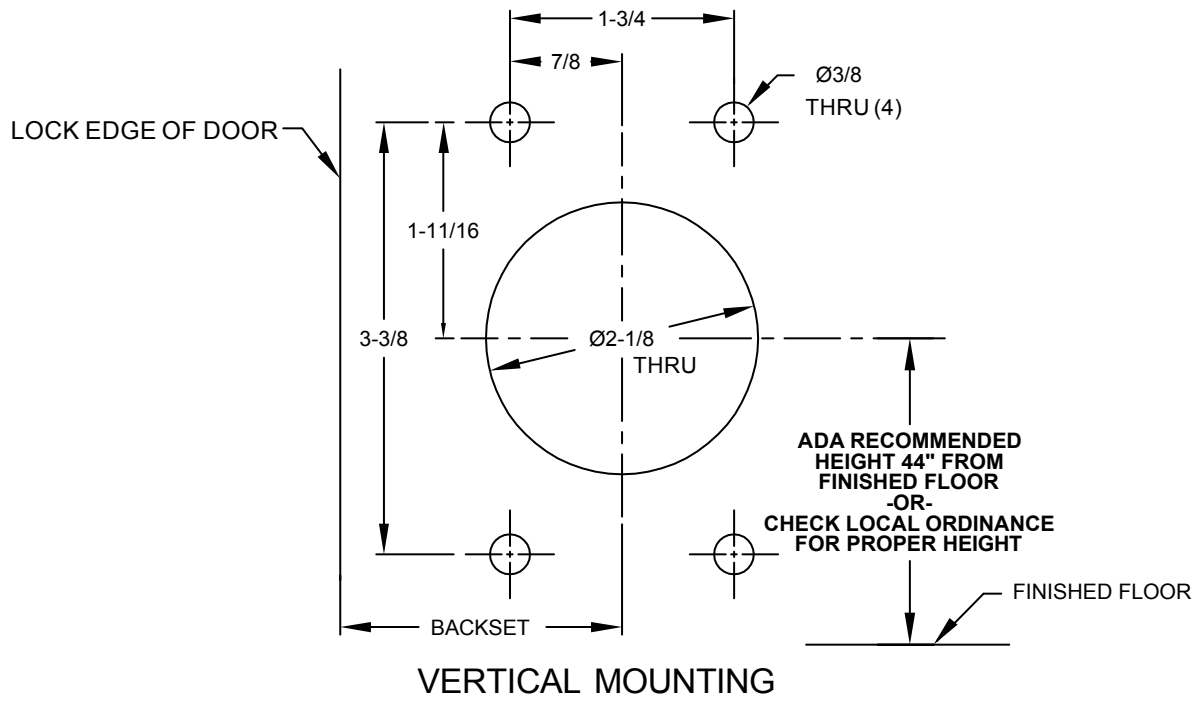
6040

REVISED 09-16-14

6040 SERIES PUSH/PULL LATCH DOOR PREP INFORMATION FOR HORIZONTAL & VERTICAL MOUNT

DOOR PREP INFORMATION:

1. BACKSET DIMENSION FROM LOW EDGE OF BEVEL.
2. CENTER PUNCH ALL HOLES.
3. DRILL HOLES (FOR HOLLOW METAL DOORS, DO NOT DRILL THRU. CENTER PUNCH & DRILL HOLES FROM BOTH SIDES OF DOOR).



**DO NOT COPY AND USE THIS AS A TEMPLATE
PLEASE CALL FACTORY FOR FULL SCALE TEMPLATE**



www.abhmfg.com
 E-mail: abhinfo@abhmfg.com
 Architectural Builders Hardware Mfg., Inc.
 1222 Ardmore Ave., Itasca, IL 60143
 630.875.9900; FAX 800.9FAXABH (932.9224)

© 2014 ABH Mfg., Inc.
printed in USA

6040-3-06.DWG

6040

REVISED 09-16-14