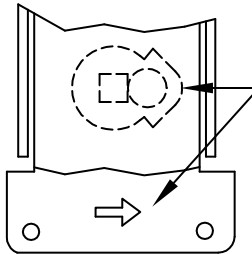
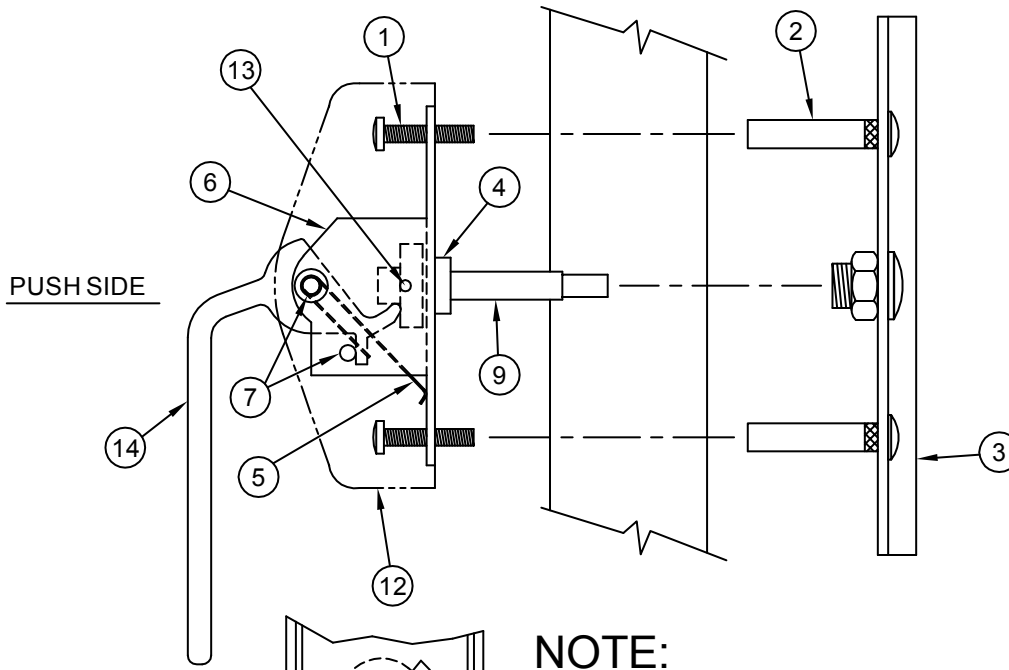
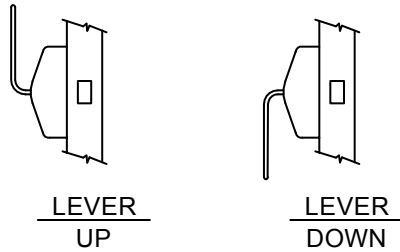


6040M EXIT ONLY PUSH LATCH



NOTE:
BEFORE MOUNTING PUSH HANDLE,
CAM PIN MUST BE ROTATED TOWARD SIDE
INDICATED BY ARROW STAMPED ON BASE

PUSH SIDE SHOWN FOR EXAMPLE



SCREW DETAIL					
ITEM	QTY	PART	ITEM	QTY	PART
1	4	10-32 X 1-1/2" PAN HD M.S.	9	1	CAM ASSEMBLY(MALE)
2	4	10-32x1"L,5/16O.D. SEX BOLT	10		
3	1	EXIT ONLY SECURITY PLATE ASSEMBLY	11		
4	1EA	WASHERS & C-RING	12	1	COVER
5	1	SPRING	13	2	8-32 X 3/8" F.H.M.S.
6	1	MOUNTING BRACKET	14	1	PUSH SIDE HANDLE
7	2EA	HANDLE SHAFT & COTTER PIN	15		
8			16		

PATENT No. 6,196,599

6040M-1-05.DWG



www.abhmf.com
E-mail: abhinfo@abhmf.com
Architectural Builders Hardware Mfg., Inc.
1222 Ardmore Ave., Itasca, IL 60143
630.875.9900; FAX 800.9FAXABH (932.9224)



©2013 ABH Mfg., Inc.
printed in USA

6040M

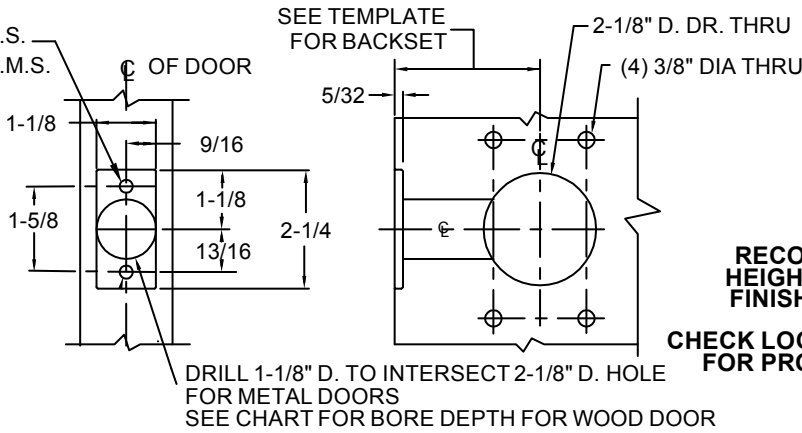
REVISED 03-28-13

DOOR PREP

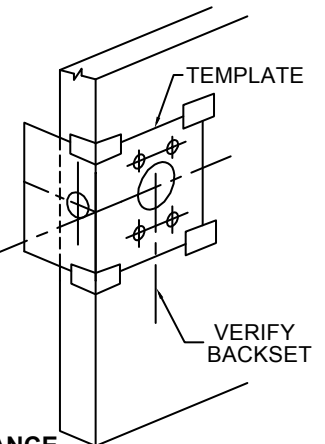
1. Install door
2. Locate horizontal centerline on door
3. Verify backset (2-3/4", 3-3/4", 5" or 7"). Tape template to door.

(2) #8 F.H.W.S.
OR 8-32 F.H.M.S.

WOOD DOOR	
BACK SET	DEPTH OF BORE
2-3/4"	4-3/8"
3-3/4"	5-3/8"
5"	6-5/8"
7"	8-5/8"

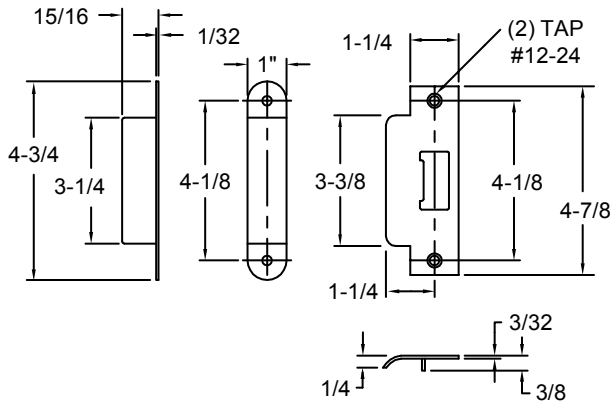


ADA RECOMMENDED HEIGHT 44" FROM FINISHED FLOOR -OR- CHECK LOCAL ORDINANCE FOR PROPER HEIGHT



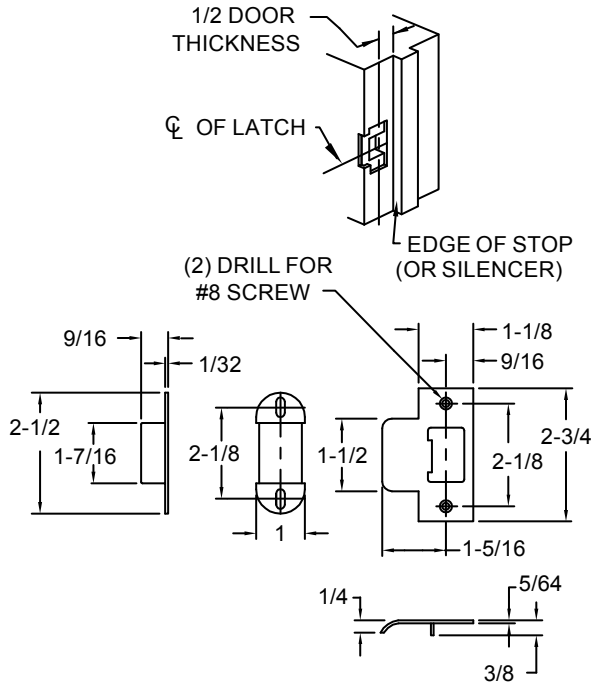
FRAME PREP

1. Mark centerline of latch bolt on frame
2. Center strike and mark screw positions
3. Mortise to required strike and box depth



ASA STRIKE & BOX

ALL DIMENSIONS IN INCHES

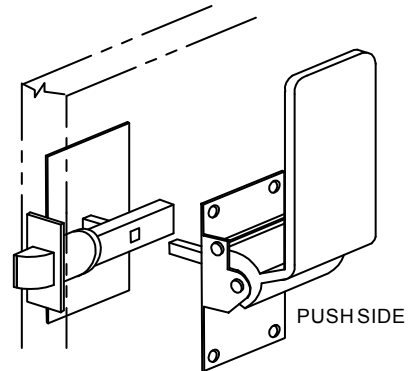


STANDARD STRIKE & BOX

LATCH/HANDLEASSEMBLY

1. Install latch bolt.
Radius portion of latch bolt must face push side of door.
2. Install push side handle assembly * with latch shaft thru latch bolt assembly
3. Mount exit only plat and install using (4) 10-32 screws with (4) 10-32 sex bolts.
4. Mount Cover.

* CAMPIN MUST BE ROTATED TOWARD SIDE INDICATED BY ARROW STAMPED ON BASE SEE DRAWING ON FRONT OF TEMPLATE



® www.abhmfg.com
E-mail: abhinfo@abhmfg.com
Architectural Builders Hardware Mfg., Inc.
1222 Ardmore Ave., Itasca, IL 60143
630.875.9900; FAX 800.9FAXABH (932.9224)

© 2014 ABH Mfg., Inc.
printed in USA

6040M-2-05.DWG

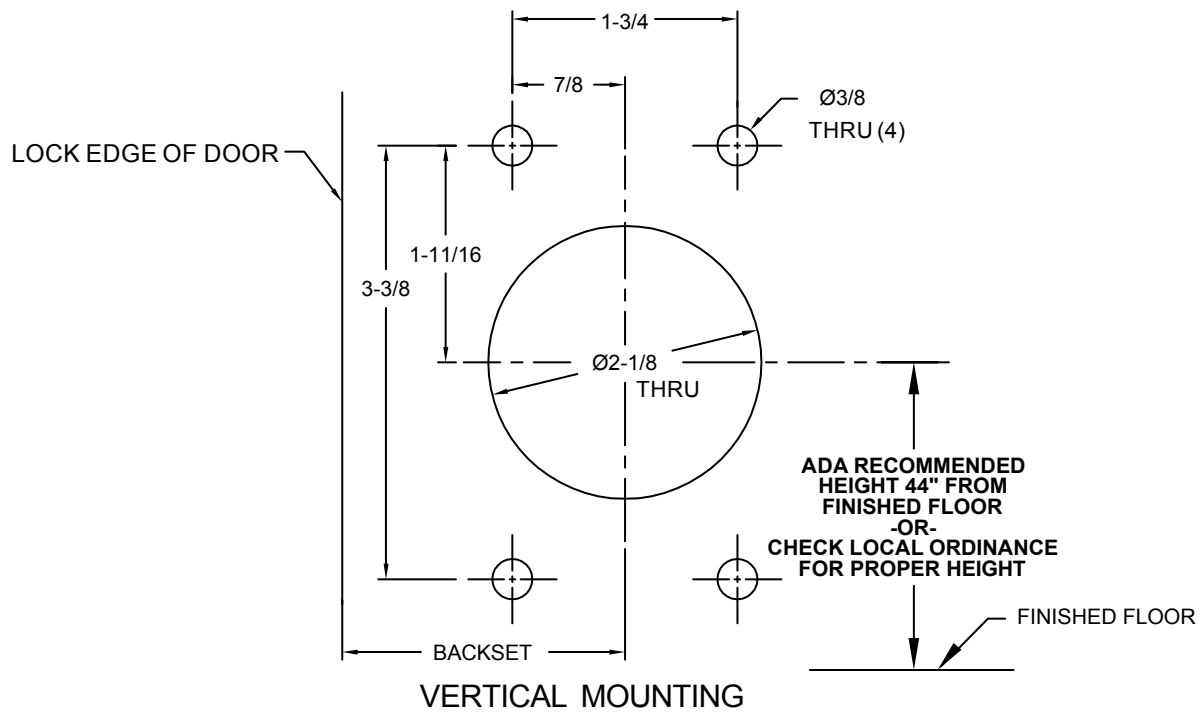
6040M

REVISED 09-16-14

6040M SERIES PUSH LATCH DOOR PREP INFORMATION FOR VERTICAL MOUNT

DOOR PREP INFORMATION:

1. BACKSET DIMENSION FROM LOW EDGE OF BEVEL.
2. CENTER PUNCH ALL HOLES.
3. DRILL HOLES (FOR HOLLOW METAL DOORS, DO NOT DRILL THRU. CENTER PUNCH & DRILL HOLES FROM BOTH SIDES OF DOOR).



DO NOT COPY AND USE THIS AS A TEMPLATE
PLEASE CALL FACTORY FOR FULL SCALE TEMPLATE



® www.abhmfg.com

E-mail: abhinfo@abhmfg.com

Architectural Builders Hardware Mfg., Inc.

1222 Ardmore Ave., Itasca, IL 60143

630.875.9900; FAX 800.9FAXABH (932.9224)

© 2014 ABH Mfg., Inc.
printed in USA

6040M-3-05.DWG

6040M

REVISED 09-16-14