

Hospital Push/Pull Latches



Innovation, Quality,
Customer Service...

6200 Series – Asylum Trim Cylindrical Latches

Standard Features

- Helps support a safer environment in hospitals and other institutions where safety is of the highest priority
- Cylindrical latch application – passage function
- 1-3/4" standard door thickness (specify if different)
- "SEC" Security fasteners provided standard
- Trim is mounted using four thru-bolts for maximum stability
- Non-handed unit for installation and stocking ease
- **UL Listed** in U.S.A and Canada for use on door fire rated 90 minutes or less, up to 4'0" x 8'0"

Selecting the Right Asylum Trim for You

ABH manufactures three Asylum Trim types from which to choose - all operate in the same manner, by simply rotating the "knob" either clockwise or counter-clockwise.

- **"B"** – Round Asylum Trim
 - Place your thumb on top of the knob and your finger beneath to rotate the knob
- **"C"** – Angled Asylum Trim
 - This sleek design models the look of a thumb turn
- **"FM"** – Flush Mount Asylum Trim
 - Trim is flush to the door – picture on C-11 shows the side profile of a door with FM trim mounted on both sides (no projection).
 - Pull side FM trim incorporates a ring that sits flush inside the door until manually lifted and rotated to operate the latch and help pull the door open (see picture on C-11).



*"B" Round
Asylum Trim*



*"C" Angled
Asylum Trim*



*"FM" Flush Mount
Asylum Trim on one side
and LR6000 on other side*



Hospital Push/Pull Latches



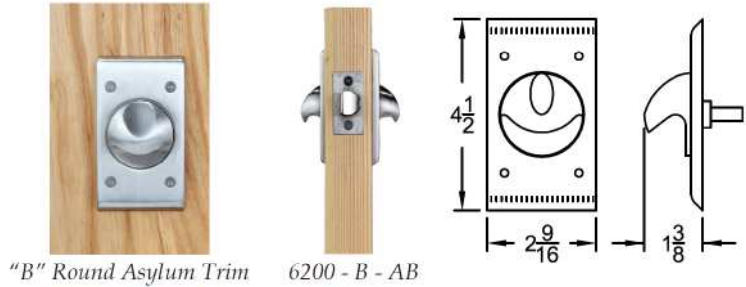
Innovation, Quality,
Customer Service...

6200 Series – Asylum Cylindrical Latches

Mounting Options

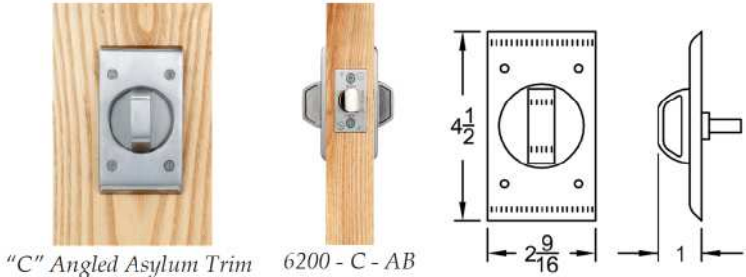
• “AB” – Asylum Trim on Both Sides

Asylum trim is provided on both sides of the door in lieu of standard hospital push/pull trim.



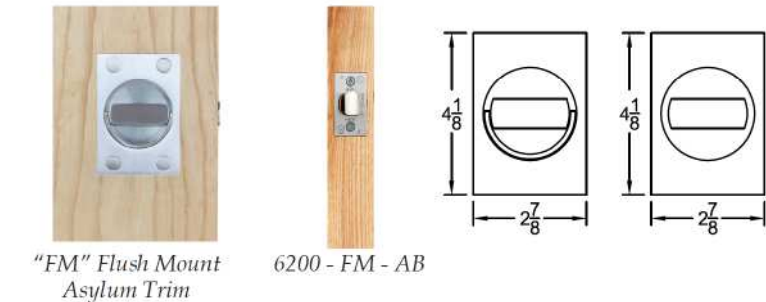
• “PLA” – Asylum Trim on Push Side

Asylum trim is provided on push side of the door and standard pull trim is provided on the pull side.



• “PSA” – Asylum Trim on Pull Side

Asylum trim is provided on pull side of the door and standard push trim is provided on the pull side.



How to Order:

Example: 62 2 A - B - US32D - PLA - AM

Model:

- 62 = 6200 Series

Latch Backset:

- 2 = 2-3/4" • 5 = 5"
- 3 = 3-3/4" • 7 = 7"

Strike:

- T = 2-3/4" T-Strike
- A = 4-7/8" ASA Strike

Asylum Knob Type:

- B = Round Knob • FM = Flush Mount
- C = Angled Knob

Finish:

- US32D • US32 • US10B • US3
- US26D • US26 • US10 • US4

Required Option (must choose one):

- PLA = Pull side has standard pull trim & push side has asylum trim
- PSA = Push side has standard pull trim & pull side has asylum trim
- AB = Both push and pull side have asylum trim

Options, if Needed:

- H • AM • L • PL
- PS • EX • X • J
- RC • THICK • P

(See pages C-3 to C-5 for details)



Architectural Builders Hardware Manufacturing, Inc.
1222 Ardmore Avenue, Itasca, IL 60143
Tel: 630-875-9900 • Fax: 630-875-9918 / 800-932-9224
Web: www.abhmf.com • Email: abhinfo@abhmf.com

2014 ABH Mfg., Inc.

C-11

DISTRIBUTED BY



ACCESS HARDWARE SUPPLY
accesshardware.com