

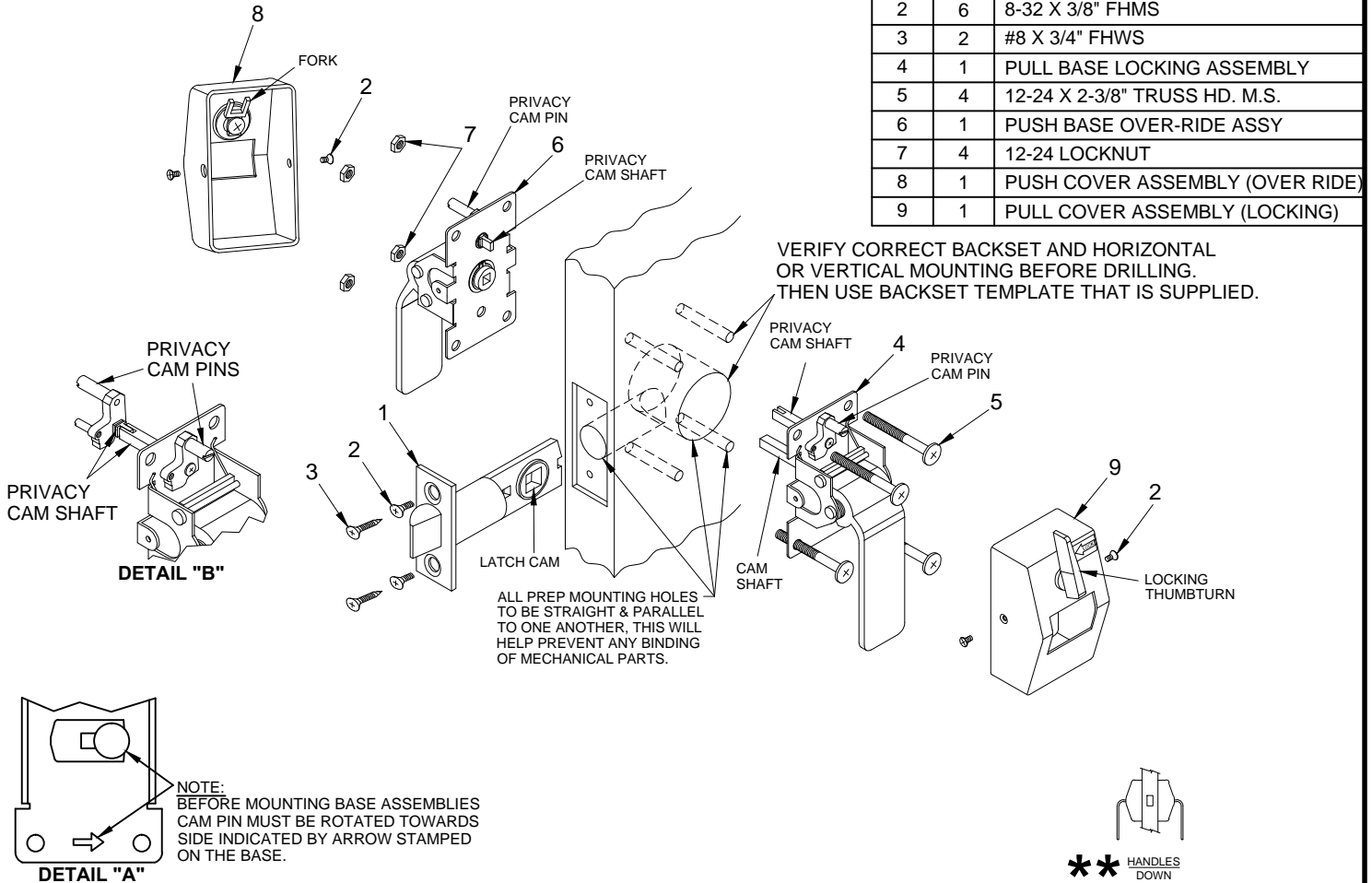
6400 SERIES PRIVACY LATCH THUMBTURN LOCK - PULL SIDE



NOTES

1. TRIM CAN ONLY BE MOUNTED DOWN, VERTICALLY WITH HANDLE DOWN. **
2. USES STANDARD 161 DOOR PREP.
3. VISION LITE MUST BE AT LEAST 6" FROM CENTERLINE OF TRIM.

ITEM	QTY	PART DESCRIPTION
1	1	LATCH
2	6	8-32 X 3/8" FHMS
3	2	#8 X 3/4" FHWS
4	1	PULL BASE LOCKING ASSEMBLY
5	4	12-24 X 2-3/8" TRUSS HD. M.S.
6	1	PUSH BASE OVER-RIDE ASSY
7	4	12-24 LOCKNUT
8	1	PUSH COVER ASSEMBLY (OVER RIDE)
9	1	PULL COVER ASSEMBLY (LOCKING)



INSTALLATION INSTRUCTIONS:

1. Prep door according to latch backset per template.
2. Install latch (item 1) using either wood or machine screws (items 2 or 3) depending on door type.
3. Take both base assemblies (item 4 & 6) and rotate cam pin as shown in Detail "A" above. Place pull base locking assembly (item 4) on pull side of door and slide the cam shaft through the latch cam. Place push base override assembly (item 6) on push side of door and engage push cam onto the pull side cam shaft. **Both privacy cam pins must be at the 12 o'clock position in order for the privacy cam shafts to interlock as shown in Detail "B".** Check that they are interlocked properly by rotating one privacy cam and making sure the other side is rotating at the same time.
4. Fasten both sides using (4) 12-24 machine screws and lock nuts (item 5 & 7). Test both handles for free movement of the latch bolt before tightening all screws. If latch bolt does not extend or retract freely because of any type of binding, loosen screws to align adjustment of base assemblies and retighten screws one at a time while checking for proper latch retraction. Mounting hardware (items 5 & 7) must be tightened before proceeding to next step.
5. Place override cover assembly (item 8) on the push side of the door making sure that the forks on the inside of the cover engages the privacy cam and fasten with (2) 8-32 screws (item 2).
6. Repeat Step 5 with locking cover (item 9) on the pull side of the door.

PATENT No. 6,196,599 & 6,293,598

ABH® www.abhmfg.com
 E-mail: abhinfo@abhmfg.com
 Architectural Builders Hardware Mfg., Inc.
 1222 Ardmore Ave., Itasca, IL 60143
 630.875.9900; FAX 800.9FAXABH (932.9224)

©2017 ABH Mfg., Inc.
 printed in USA

6400-1-14.DWG

6400

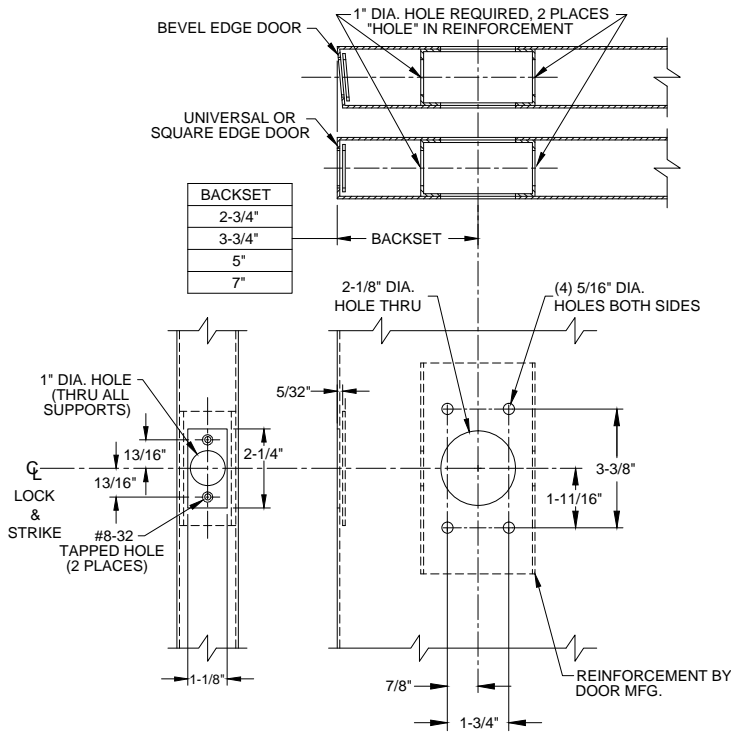
PAGE 1 OF 3

REVISED 12-28-17

DISTRIBUTED BY

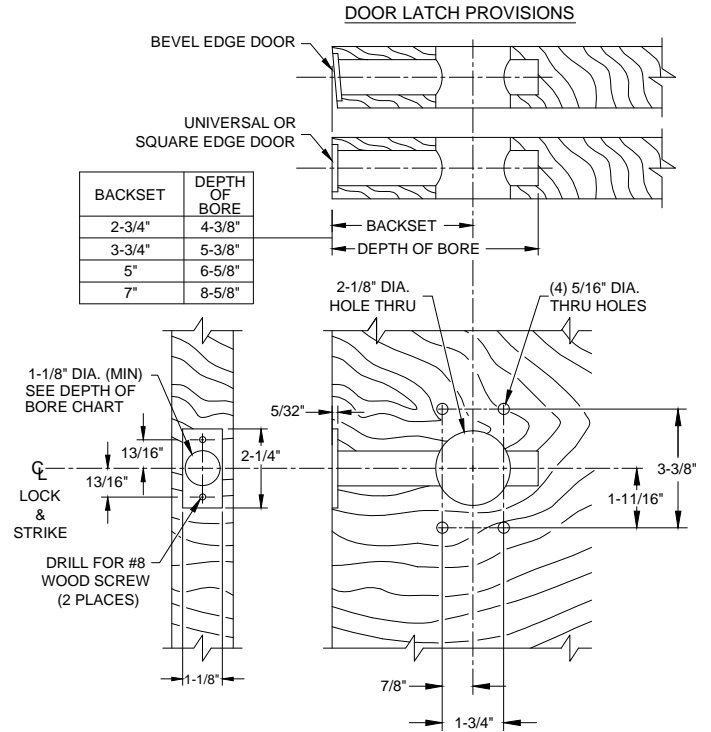


6400 SERIES PRIVACY LATCH THUMBTURN LOCK - PULL SIDE, DOOR PREP



METAL DOOR

(VERTICAL MOUNTING SHOWN)

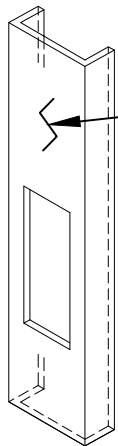


WOOD DOOR

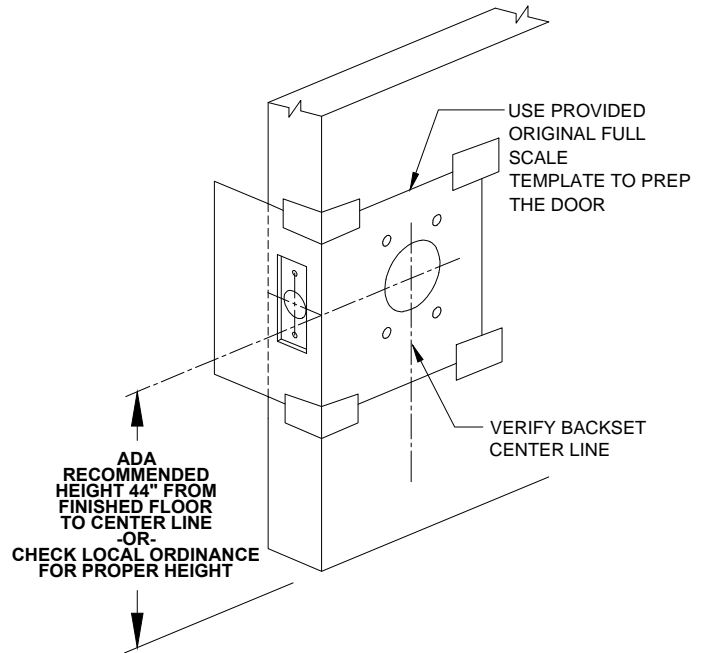
(VERTICAL MOUNTING SHOWN)

DOOR PREP INFORMATION:

1. BACKSET DIMENSION FROM LOW EDGE OF BEVEL.
2. CENTER PUNCH ALL HOLES.
3. DRILL HOLES (FOR HOLLOW METAL DOORS, DO NOT DRILL THRU. CENTER PUNCH & DRILL HOLES FROM BOTH SIDES OF DOOR).



EDGE GUARD NOTE:
WHEN PREPPING THE DOOR FOR THE BACKSET, DETERMINE IF THE DOOR WILL RECEIVE AN EDGE GUARD. IF SO, THE EDGE GUARD SHOULD BE INSTALLED FIRST AND THEN THE PREP FOR THE LATCH BACKSET SHOULD BE MEASURED FROM THE OUTSIDE EDGE OF THE EDGE GUARD.



® www.abhmfg.com
E-mail: abhinfo@abhmfg.com
Architectural Builders Hardware Mfg., Inc.
1222 Ardmore Ave., Itasca, IL 60143
630.875.9900; FAX 800.9FAXABH (932.9224)

© 2017 ABH Mfg., Inc.
printed in USA

6400-2-14.DWG

6400

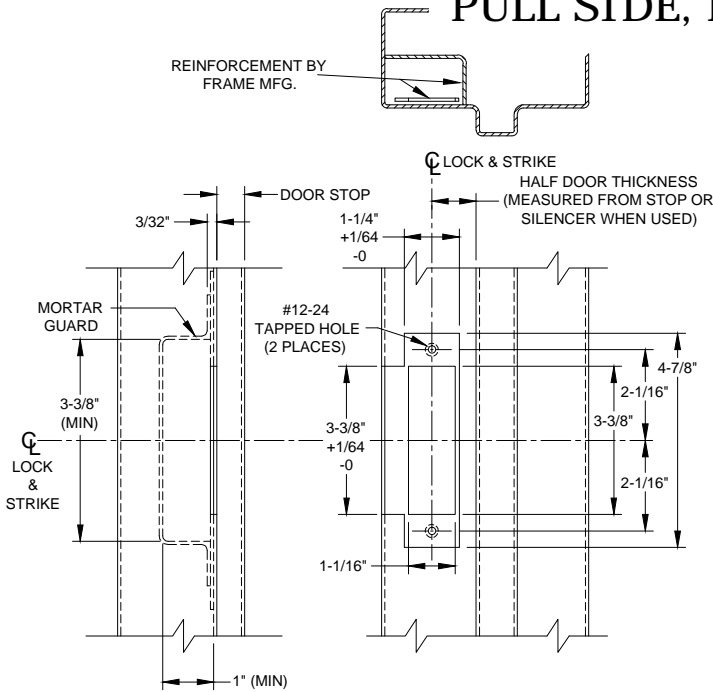
PAGE 2 OF 3

REVISED 12-28-17

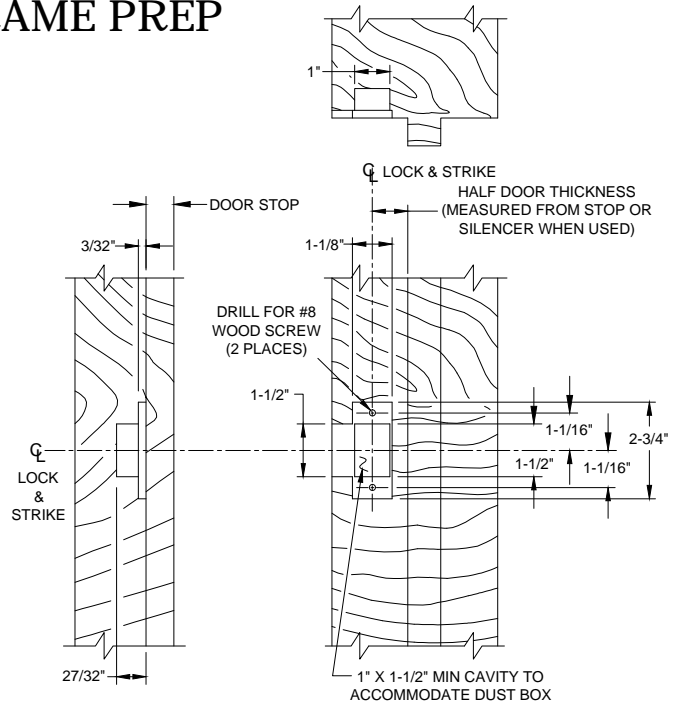
DISTRIBUTED BY



6400 SERIES PRIVACY LATCH THUMBTURN LOCK - PULL SIDE, FRAME PREP



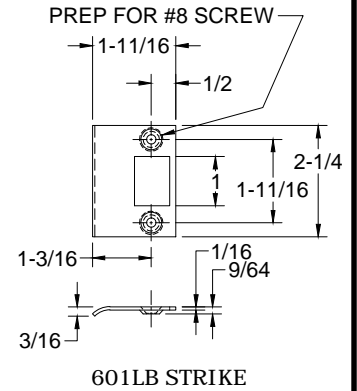
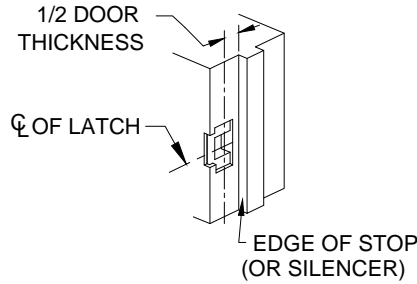
METAL FRAME
(ASA STRIKE SHOWN FOR EXAMPLE)



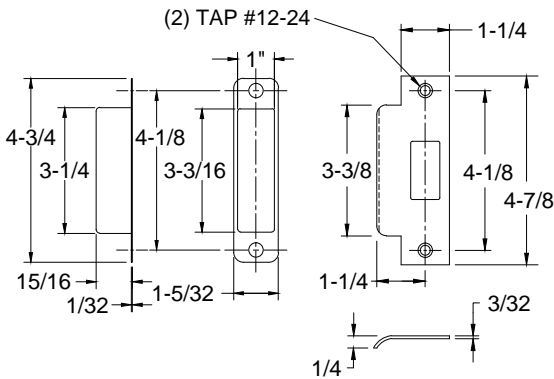
WOOD FRAME
(\"T\" STRIKE SHOWN FOR EXAMPLE)

FRAME PREP:

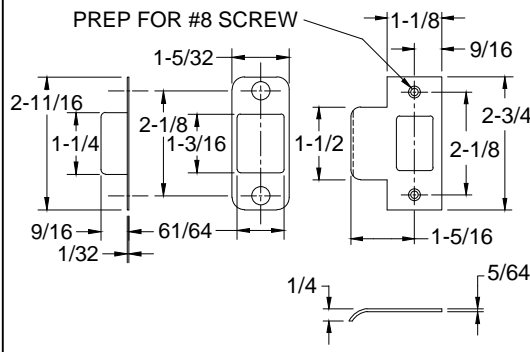
1. Mark centerline of latch bolt on frame.
2. Center strike and mark screw positions.
3. Mortise to required strike and box depth.
4. All dimensions in inches.



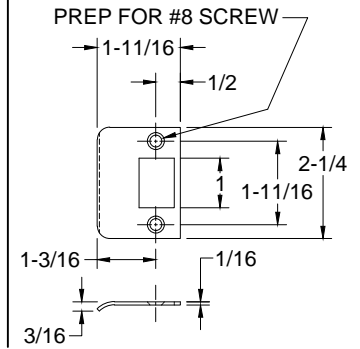
601LB STRIKE



ASA STRIKE & DUST BOX



"T" STRIKE & DUST BOX



"D" STRIKE



® www.abhmfg.com
E-mail: abhinfo@abhmfg.com
Architectural Builders Hardware Mfg., Inc.
1222 Ardmore Ave., Itasca, IL 60143
630.875.9900; FAX 800.9FAXABH (932.9224)

©2017 ABH Mfg., Inc.
printed in USA

6400-3-14.DWG

6400

PAGE 3 OF 3

REVISED 12-28-17

DISTRIBUTED BY

