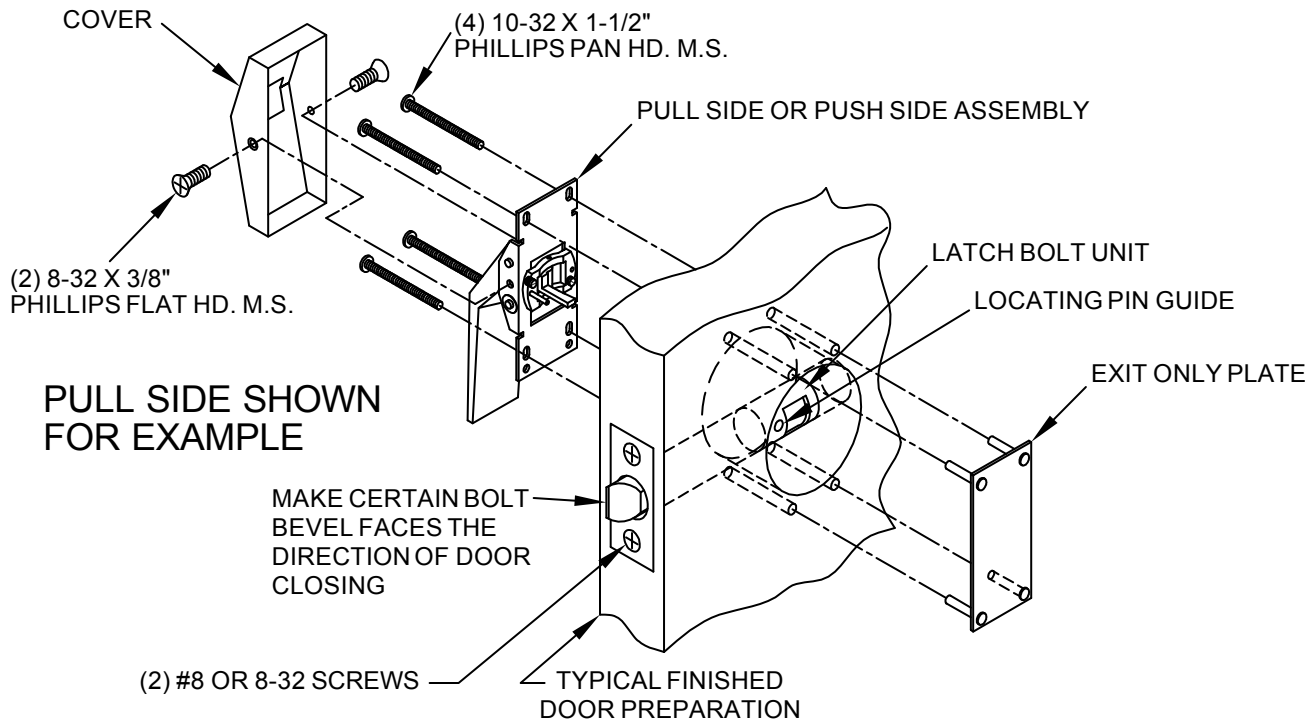


# 6840 EXIT ONLY INSTALLATION



## INSTALLATION INSTRUCTIONS

1. PUSH/PULL LATCHES ARE ASSEMBLED FOR RIGHT HAND AND LEFT HAND DOORS. BE SURE CORRECT SIDE MATCHES DOOR APPLICATION.
2. PLACE LATCH BOLT UNIT IN DOOR MAKING SURE BOLT BEVEL FACES DIRECTION OF DOOR CLOSING. ATTACH FRONT WITH TWO (2) #8 OR 8-32 SCREWS DEPENDING ON DOOR.
3. POSITION LEVER ASSEMBLY SO THAT LOCATING PIN AND CAM ARM ENTER INTO CORRESPONDING HOLES IN LATCH BOLT UNIT. ATTACH LEVER ASSEMBLY BY THRU BOLTING ONTO EXIT ONLY PLATE WITH FOUR (4) #10-32 X 1-1/2" PHILLIPS PAN HD. M.S. FOR PURPOSE OF ALIGNMENT DO NOT TIGHTEN SCREWS UNTIL ALL FOUR (4) SCREWS HAVE BEEN STARTED.
4. APPLY COVERS AND FASTEN WITH (2) 8-32 X 3/8" FLAT HD. M.S. FOR EACH COVER.
5. INSERT DUST BOX IN FRAME MORTISE AND ATTACH STRIKE WITH TWO (2) #8 OR 8-32 SCREWS.

## TO CHANGE DIRECTION OF PUSH OR PULL HANDLE

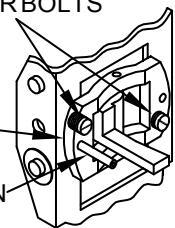
NOTE: REVERSE INSTALLATION INSTRUCTIONS #4 & #3 THEN CONTINUE WITH INSTRUCTIONS 1, 2 & 3 BELOW.

1. REMOVE THE (2) 10-32 SHOULDER BOLTS WITH SPRINGS THAT SECURE THE CAM HOLDER ASSEMBLY, NOTE THE DIRECTION OF THE LOCATING PIN BEFORE STARTING.
2. ROTATE THE CAM HOLDER ASSEMBLY 180°.
3. REINSTALL THE (2) 10-32 SHOULDER BOLTS WITH SPRINGS.

10-32 SHOULDER BOLTS  
WITH SPRINGS

CAM HOLDER

LOCATING PIN



PATENT PENDING



® [www.abhmfg.com](http://www.abhmfg.com)

E-mail: [abhinfo@abhmfg.com](mailto:abhinfo@abhmfg.com)  
Architectural Builders Hardware Mfg., Inc.  
1222 Ardmore Ave., Itasca, IL 60143  
630.875.9900; FAX 800.9FAXABH (932.9224)

© 2014 ABH Mfg., Inc.  
printed in USA

6840 INSTALLATION-03.DWG

6840

REVISED 09-16-14

DISTRIBUTED BY

