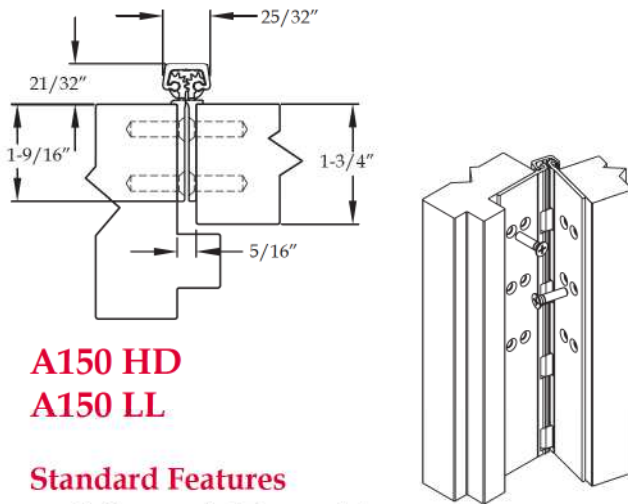


# Aluminum Continuous Geared Hinges

# ABH<sup>®</sup>

Innovation, Quality,  
Customer Service...

## Full Concealed



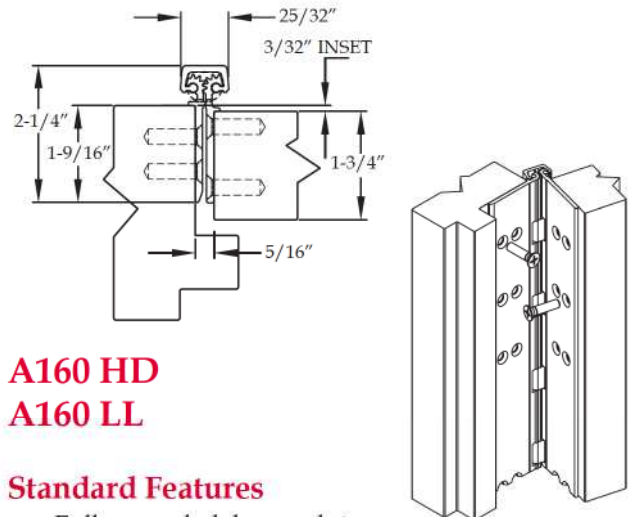
### A150 HD A150 LL

#### Standard Features

- Full concealed, heavy duty
- No door inset, flush mount
- Designed for use on the Kawneer "Tuffline"®\* aluminum doors
- 48" door width maximum
- 450 lbs. door weight maximum
- "LL" model for doors up to 1,000 lbs. (lead-lined staggered hole pattern)
- **Fasteners:** 12-24 x 7/8" undercut self-drilling, thread-forming tek machine screws
- **Standard lengths:** 79", 83", 85", 95" and 120"
- **Finishes:** Clear, dark bronze and black anodized
- **Fire Rating**
  - Approved for use on metal swinging type fire doors rated up to and including 90 minutes (Specify "FR" option for 3 hour rating)
  - Approved for use on wood swinging type fire doors rated up to and including 60 minutes (Specify "FR" option for 90 minute rating)

#### Options Available

- See pages F-7 to F-8 for option availability and details



### A160 HD A160 LL

#### Standard Features

- Full concealed, heavy duty
- 3/32" door inset
- Beveled edge on frame leaf
- 48" door width maximum
- 450 lbs. door weight maximum
- "LL" model for doors up to 1,000 lbs. (lead-lined staggered hole pattern)
- **Fasteners:** 12-24 x 7/8" undercut self-drilling, thread-forming tek machine screws
- **Standard lengths:** 79", 83", 85", 95" and 120"
- **Finishes:** Clear, dark bronze and black anodized
- **Fire Rating**
  - Approved for use on metal swinging type fire doors rated up to and including 90 minutes (Specify "FR" option for 3 hour rating)
  - Approved for use on wood swinging type fire doors rated up to and including 60 minutes (Specify "FR" option for 90 minute rating)

#### Options Available

- See pages F-7 to F-8 for option availability and details

\*Brand names are trademarks or registered trademarks of their respective companies.

Architectural Builders Hardware Manufacturing, Inc.  
1222 Ardmore Avenue, Itasca, IL 60143  
Tel: 630-875-9900 • Fax: 630-875-9918 / 800-932-9224  
Web: www.abhmfg.com • Email: abhinfo@abhmfg.com

