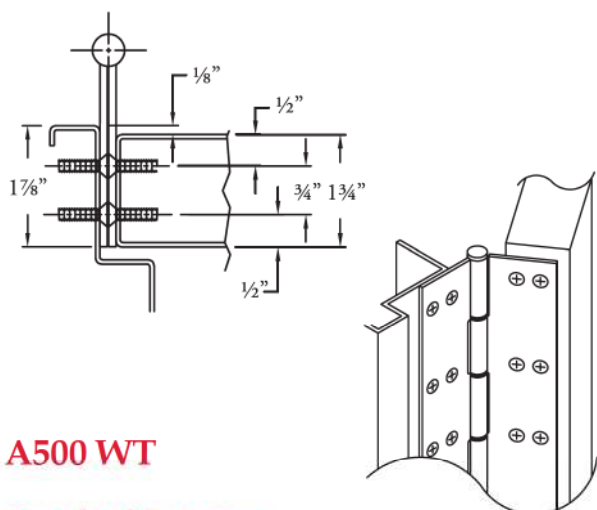


Stainless Steel Continuous Pin & Barrel Hinges



Innovation, Quality,
Customer Service...

Full Concealed



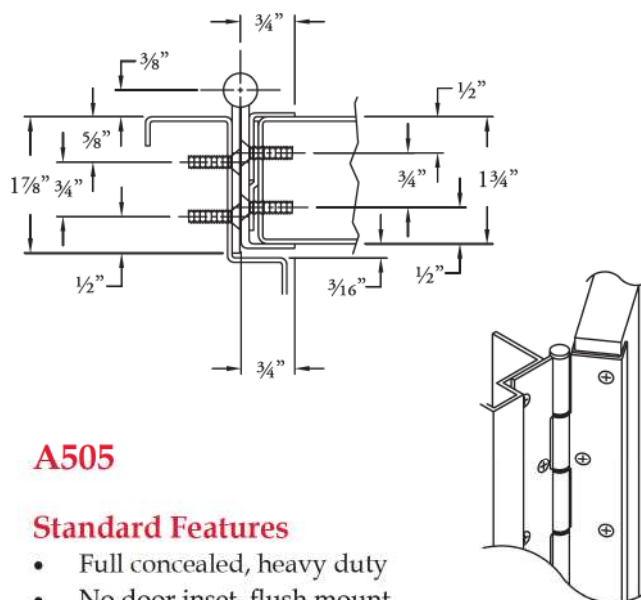
A500 WT

Standard Features

- Full concealed, heavy duty
- 1/8" door inset
- Wide throw for applications that need extra clearance for the door or the frame - 5" maximum from center of barrel to edge of hinge leaf
- The use of a caster on the lock side of tall or heavier doors is recommended to help carry to offset load
- 48" door width maximum
- 600 lbs. door weight maximum
- **Fasteners:** 10-24 x 7/8" undercut, self-drilling, thread-forming tek machine screws, stainless steel and #10 x 1-1/4" undercut wood screws, stainless steel
- **Lengths:** 78-3/4", 83-1/8", 85" and 95"
- **Finishes:** US32D Satin Stainless Steel or US32 Bright Stainless Steel
- **Fire Rating** - tested and certified by UL® (U.S.A. and Canada) on 4'0" x 10'0" fire rated doors, based on the following
 - 20 minutes - wood doors
 - 90 minutes - hollow metal and composite core wood fire doors
 - 3 hours - hollow metal doors

Options Available

- See pages G-6 to G-7 for modification availability and details



A505

Standard Features

- Full concealed, heavy duty
- No door inset, flush mount
- Door edge guard on both faces of door
- 48" door width maximum
- 600 lbs. door weight maximum
- **Fasteners:** 10-24 x 7/8" undercut, self-drilling, thread-forming tek machine screws, stainless steel and #10 x 1-1/4" undercut wood screws, stainless steel
- **Lengths:** 78-3/4", 83-1/8", 85", 95" and 118-3/4"
- **Finishes:** US32D Satin Stainless Steel or US32 Bright Stainless Steel
- **Fire Rating** - tested and certified by UL® (U.S.A. and Canada) on 4'0" x 10'0" fire rated doors, based on the following
 - 20 minutes - wood doors
 - 90 minutes - hollow metal and composite core wood fire doors
 - 3 hours - hollow metal doors

Options Available

- See pages G-6 to G-7 for modification availability and details



Architectural Builders Hardware Manufacturing, Inc.
1222 Ardmore Avenue, Itasca, IL 60143
Tel: 630-875-9900 • Fax: 630-875-9918 / 800-932-9224
Web: www.abhmf.com • Email: abhinfo@abhmf.com

2014 ABH Mfg., Inc.

G-9

DISTRIBUTED BY

