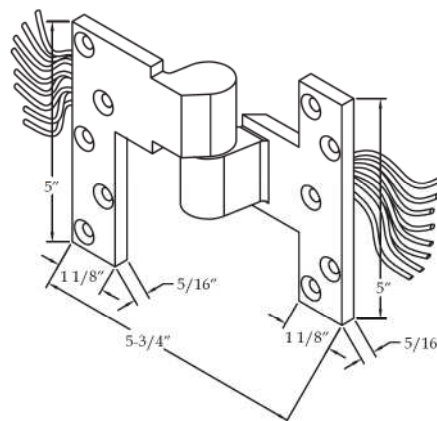


## Electrified Intermediate Pivots

### E019-1.5 Intermediate Pivot - Electrified - 1-1/2" Offset

#### Standard Features

- Provides electrical power transfer from the frame to the door
  - (8) 30 AWG Wires
- Mortises into side jamb and hinge edge of door
- Handed - Specify LH or RH
- For use with 1-1/2" offset pivot sets
- UL listed for use on 3-hour fire rated doors - **Standard**
- Heavy duty stainless steel needle bearings
- Stainless steel base material



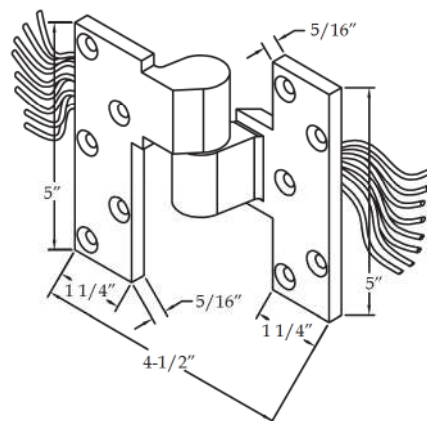
#### Options

- **EZ** - EZ Connect Molex<sup>®</sup> Connectors for installation ease
- **SEC** - Security fasteners

### EL019 Intermediate Pivot - Electrified - 3/4" Offset

#### Standard Features

- Provides electrical power transfer from the frame to the door
  - (8) 30 AWG Wires
- Mortises into side jamb and hinge edge of door
- Handed - Specify LH or RH
- **For use with 3/4" offset lead-lined pivot sets**
- 1-3/4" lead-lined doors
- UL listed for use on 3-hour fire rated doors - **Standard**
- Heavy duty stainless steel needle bearings
- Stainless steel base material



#### Options

- **EZ** - EZ Connect Molex<sup>®</sup> Connectors for installation ease
- **SEC** - Security fasteners

