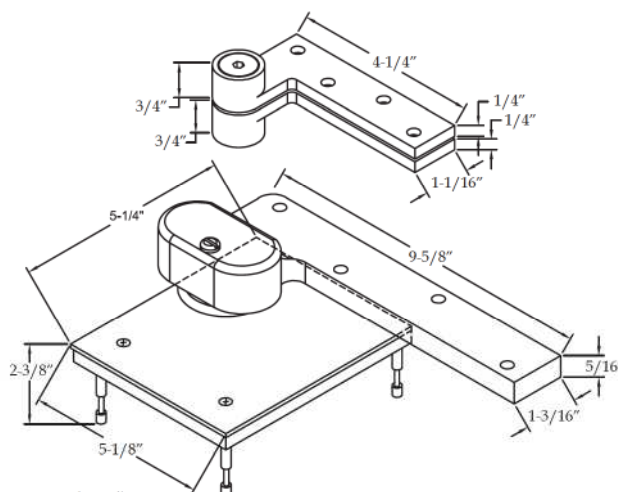


## 0117.50 Pivot Set - 3/4" Offset

### Standard Features

- 0117.50 Bottom Pivot
  - Bottom leaf mortises into floor
  - Door leaf mortises into bottom of door
- 0180 Top Pivot
  - Frame leaf mortises into header
  - Door leaf mortises into top of door
- Handed - Specify LH or RH
- Maximum door load - 650 pounds
- Maximum door width - 48"
- For use on 3-hour fire rated doors
- Heavy duty needle bearings
- Stainless steel base material

Meets and/or exceeds  
ANSI C07121 & C07202



### Options

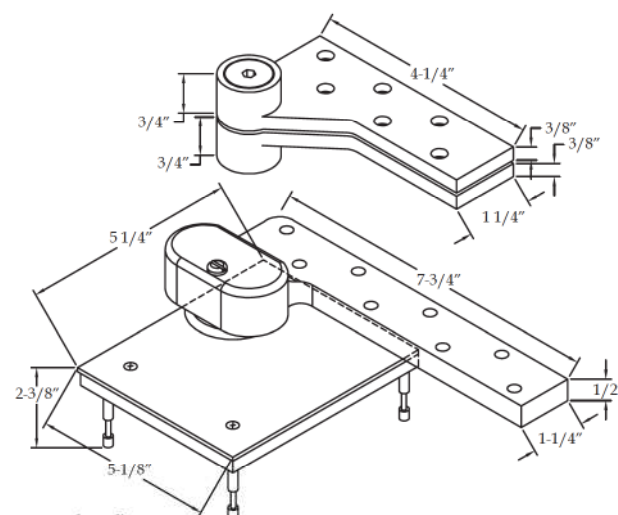
- **Extended Spindle** on bottom pivot (up to 2" longer than standard)
- **Extended Pin** on top pivot (up to 3/4" longer than standard)
- **SEC** - Security fasteners
- **B** - Bottom pivot only (no top pivot)

## L0117 Pivot Set - 3/4" Offset

### Standard Features

- L0117 Bottom Pivot
  - Bottom leaf mortises into floor
  - Door leaf mortises into bottom of door
- L0180 Top Pivot
  - Frame leaf mortises into header
  - Door leaf mortises into top of door
- For use on 1-3/4" lead-lined doors
- Handed - Specify LH or RH
- Maximum door load - 1,750 pounds
- Maximum door width - 48"
- Heavy duty needle bearings
- Stainless steel base material

Meets and/or exceeds  
ANSI C07111



### Options

- **Extended Spindle** on bottom pivot (up to 2" longer than standard)
- **Extended Pin** on top pivot (up to 3/4" longer than standard)
- **SEC** - Security fasteners
- **B** - Bottom pivot only (no top pivot)



Architectural Builders Hardware Manufacturing, Inc.  
1222 Ardmore Avenue, Itasca, IL 60143  
Tel: 630-875-9900 • Fax: 630-875-9918 / 800-932-9224  
Web: [www.abhmfg.com](http://www.abhmfg.com) • Email: [abhinfo@abhmfg.com](mailto:abhinfo@abhmfg.com)