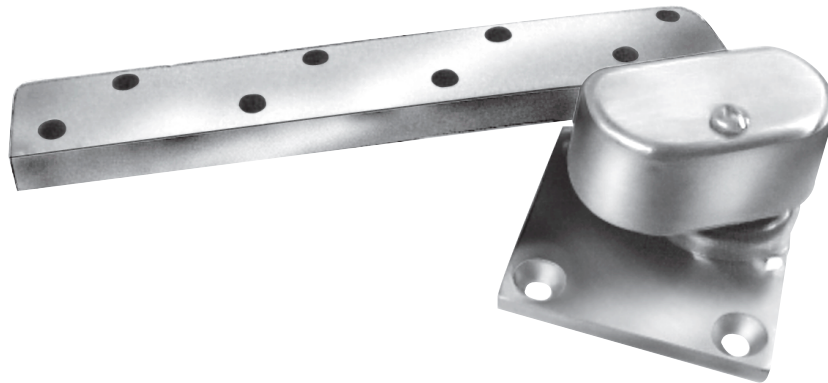

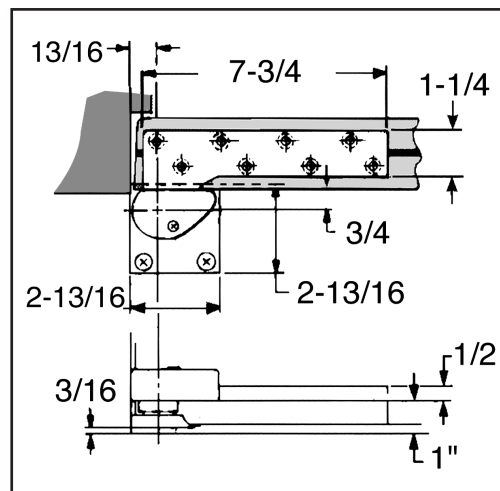


# L0147



- 1-3/4" lead lined doors
- For interior doors up to 4'0" x 8'0"
- Weight to 1000 lbs.
- **L0180 top pivot included**
- L019 intermediate pivot required
- Bottom pivot mounted to floor
- US32D models  listed for use on 3 hour fire doors
- BHMA/ANSI C07162/3530A (modified)



[www.abhmfg.com](http://www.abhmfg.com)  
**E-mail: [abhinfo@abhmfg.com](mailto:abhinfo@abhmfg.com)**  
Architectural Builders Hardware Mfg., Inc.  
1222 Ardmore Ave., Itasca, IL 60143  
630.875.9900; FAX 800.9FAXABH (932.9224)

© 2007 ABH Mfg., Inc.

# ABH<sup>®</sup>

DISTRIBUTED BY

