

Hospital Push/Pull Latches



LR6000 Series - Ligature-Resistant Cylindrical Latches

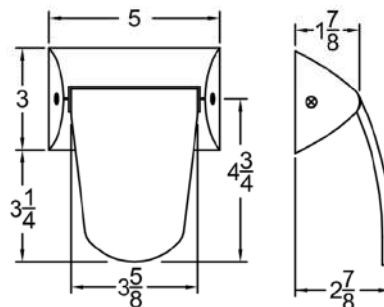
Innovation, Quality, Customer Service...

Standard Features

- New ligature-resistant design provides a sleek look as well as functionality not commonly found in push/pull trim
- Cylindrical latch application - passage function
- 1-3/4" standard door thickness (specify if different)
- Meets ADA requirements
- Trim is mounted using four thru-bolts for maximum stability
- Non-handed for installation and stocking ease
- Trim can be mounted vertical or horizontal (with handles pointing toward hinge edge of door)
- UL Listed in U.S.A and Canada for use on door fire rated 90 minutes or less, up to 4'0" x 8'0"
- LR trim also available for mortise lock bodies - LR6600 and LR6700 Series (See pages C-16 and C-20 for details)



Optional Custom Engraving Shown



How to Order:

Example: LR6000 2 A - US32D - AM

Model:

- LR6000

Latch Backset:

- 2 = 2-3/4" • 5 = 5"
- 3 = 3-3/4" • 7 = 7"

Strike:

- T = 2-3/4" T-Strike
- A = 4-7/8" ASA Strike

Finish:

- US32D • US32 • US10B • US3
- US26D • US26 • US10 • US4

Options, if Needed:

- AM • L • PL • PS • SEC • THICK • P
- (See pages C-3 to C-5 for details)

DISTRIBUTED BY



C-8 2014 ABH Mfg., Inc.

Architectural Builders Hardware Manufacturing, Inc.
 1222 Ardmore Avenue, Itasca, IL 60143
 Tel: 630-875-9900 • Fax: 630-875-9918 / 800-932-9224
 Web: www.abhmf.com • Email: abhinfo@abhmf.com

