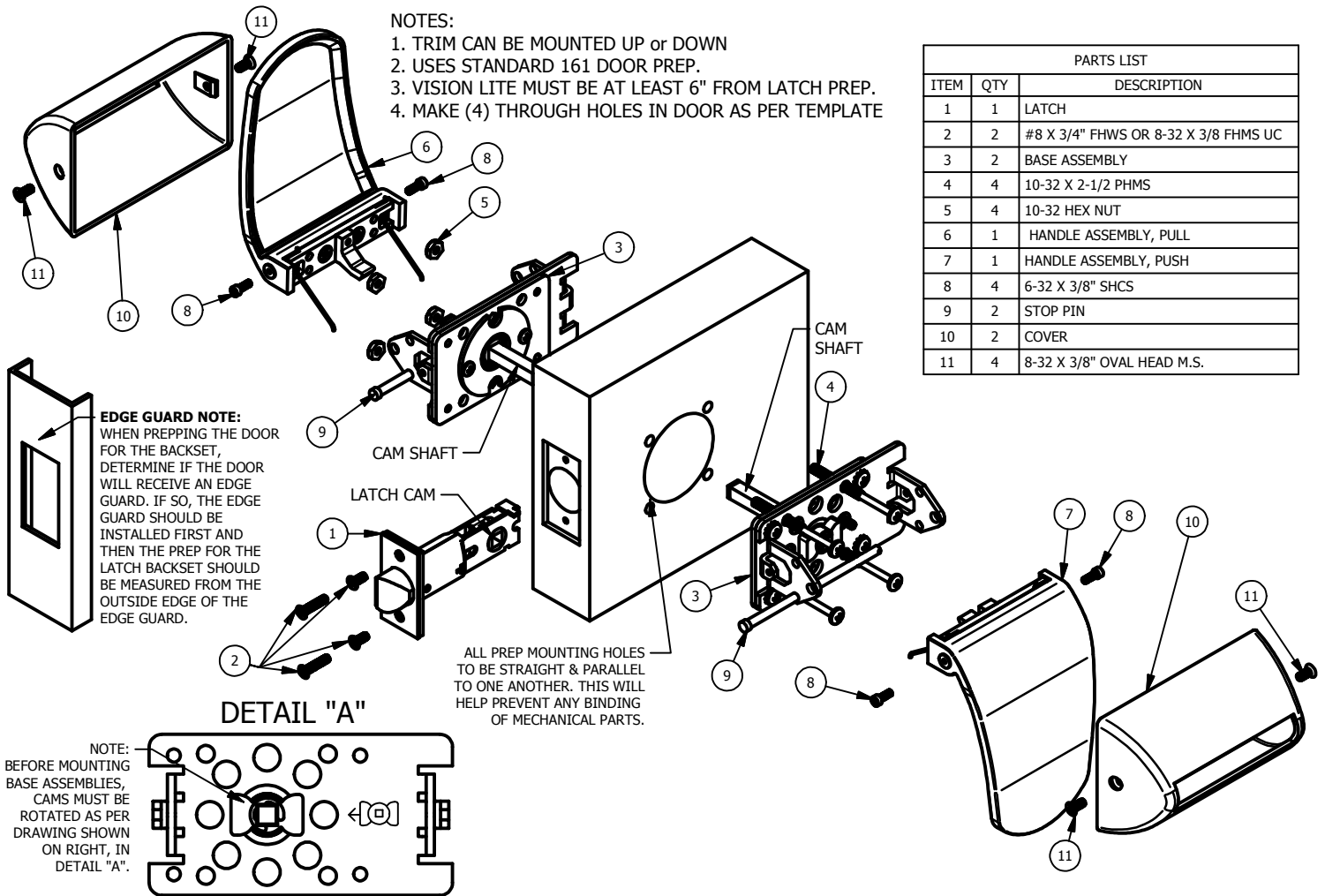


LR6000 SERIES INSTALLATION FOR CYLINDRICAL LATCH

NOTES:

1. TRIM CAN BE MOUNTED UP or DOWN
2. USES STANDARD 161 DOOR PREP.
3. VISION LITE MUST BE AT LEAST 6" FROM LATCH PREP.
4. MAKE (4) THROUGH HOLES IN DOOR AS PER TEMPLATE

PARTS LIST		
ITEM	QTY	DESCRIPTION
1	1	LATCH
2	2	#8 X 3/4" FHWS OR 8-32 X 3/8 FHMS UC
3	2	BASE ASSEMBLY
4	4	10-32 X 2-1/2 PHMS
5	4	10-32 HEX NUT
6	1	HANDLE ASSEMBLY, PULL
7	1	HANDLE ASSEMBLY, PUSH
8	4	6-32 X 3/8" SHCS
9	2	STOP PIN
10	2	COVER
11	4	8-32 X 3/8" OVAL HEAD M.S.

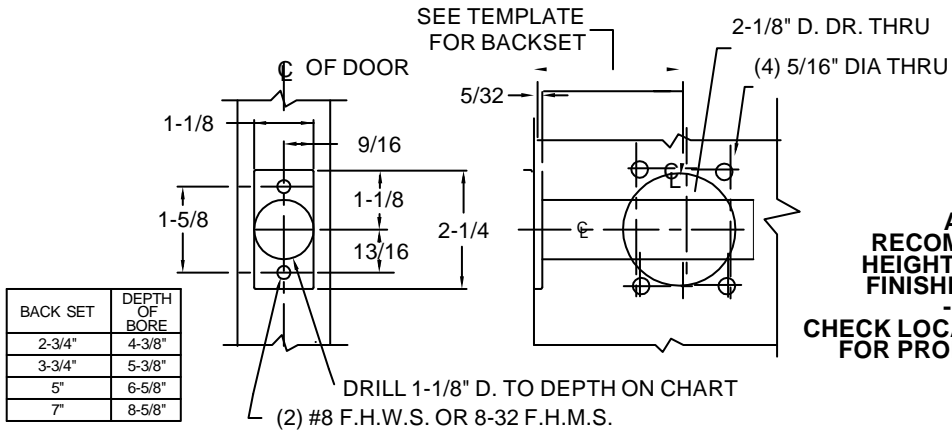


INSTALLATION INSTRUCTIONS

1. Prep door according to LR6000 Series latch template.
2. Install latch using either #8 wood screws or 8-32 machine screws (Item 2).
3. Check (1) base assembly (Item 3) to ensure the cam is the position shown in Detail "A" (see above). Place the base assembly on push side of door by inserting the cam shaft into the latch cam as detailed above.
4. Check the other base assembly (Item 3) and ensure the cam is the position shown in Detail "A" (see above). Place base assembly on pull side of door by engaging the shaft into the latch cam as detailed above. Fasten both base assemblies together with (4) 10-32 screws (Item 4) and (4) 10-32 hex nuts (Item 5). **Test that cams rotates freely on both sides of the door after tightening the screws.**
5. Install the push handle assembly (Item 7) to the base assembly installed on push side of door using (2) socket head cap screws (Item 8). Insert (1) stop pin (Item 9) through the push base assembly on the **same side** of the direction the push handle assembly is pointing. **Test push handle for proper operation to be sure stop pin was installed in appropriate base assembly hole.**
6. Repeat above Step #5 on the pull side of the door for the pull handle assembly (Item 6). Insert (1) stop pin (Item 9) through the pull base assembly on the **opposite side** of the direction the pull handle assembly is pointing. **Test pull handle for proper operation to be sure stop pin was installed in appropriate base assembly hole.**
7. Place covers (Item 10) over handles and fasten each cover with (2) 8-32 screws (Item 11).

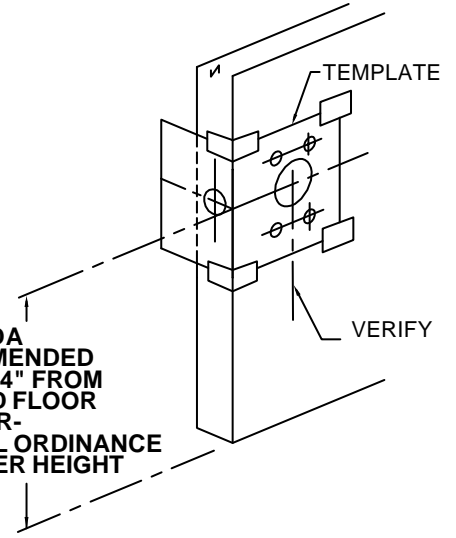
69800-02.IDW

DOOR PREP

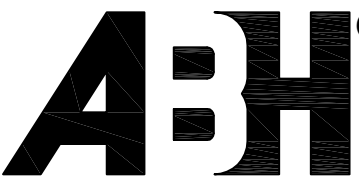
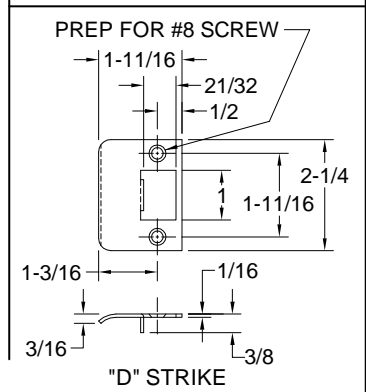
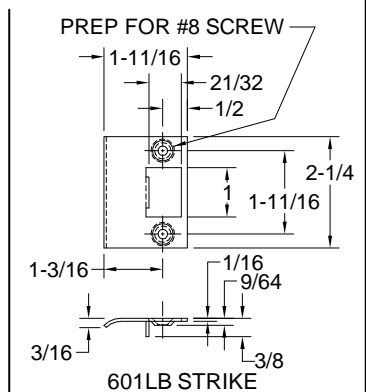
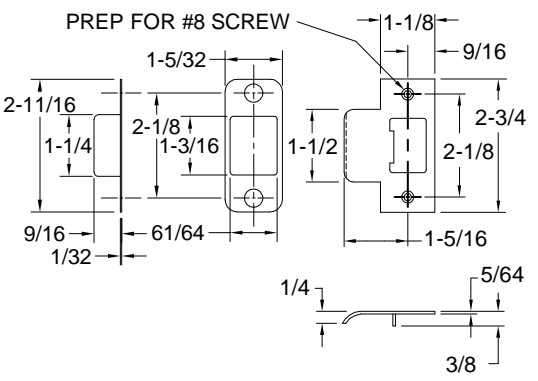
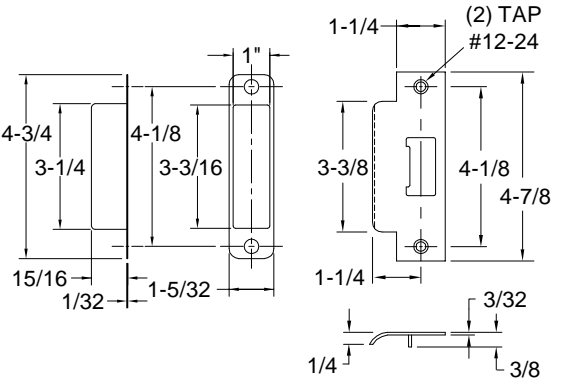
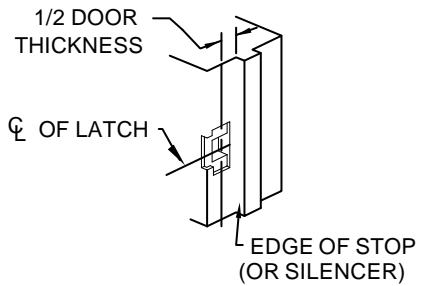


BACK SET	DEPTH OF BORE
2-3/4"	4-3/8"
3-3/4"	5-3/8"
5"	6-5/8"
7"	8-5/8"

ADA RECOMMENDED HEIGHT 44" FROM FINISHED FLOOR
-OR-
CHECK LOCAL ORDINANCE FOR PROPER HEIGHT



4. All dimensions in inches.



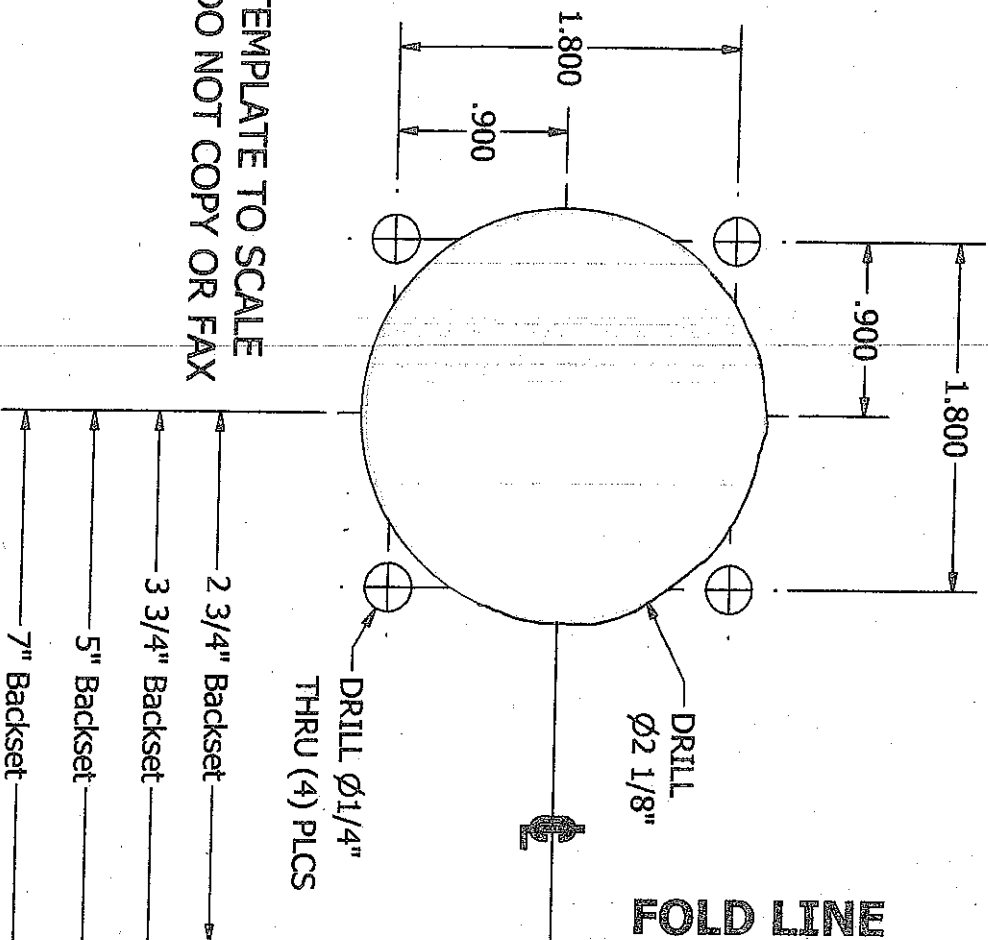
www.abhmfg.com
E-mail: abhinfo@abhmfg.com
Architectural Builders Hardware Mfg., Inc.
1222 Ardmore Ave., Itasca, IL 60143
630.875.9900; FAX 800.9FAXABH (932.9224)

© 2014 ABH Mfg., Inc.
printed in USA

LR6000-2

6000-2-09.DWG

1. Select required backset 2-3/4", 3-3/4", 5" or 7".
2. Fold on dashed line.
3. Place fold on low edge of bevel.
4. Line up center lines.
5. Center punch all holes.
6. Drill holes (For hollow metal doors, do not drill thru. Center punch & drill holes, from both sides of door).

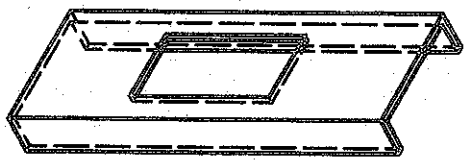


FOLD LINE

FOLD LINE

FOLD LINE

FOLD LINE



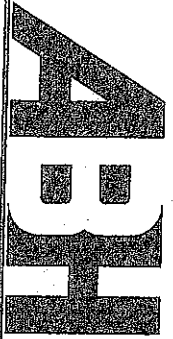
EDGE GUARD NOTE:
 WHEN PREPPING THE DOOR FOR THE BACKSET, DETERMINE IF THE DOOR WILL RECEIVE AN EDGE GUARD. IF SO, THE EDGE GUARD SHOULD BE INSTALLED FIRST AND THEN THE PREP FOR THE LATCH BACKSET SHOULD BE MEASURED FROM THE OUTSIDE EDGE OF THE EDGE GUARD.

TEMPLATE TO SCALE
 DO NOT COPY OR FAX

- 2 3/4" Backset
- 3 3/4" Backset
- 5" Backset
- 7" Backset

DRILL $\phi 1/4"$
 THRU (4) PLCS

DRILL $\phi 2 1/8"$



www.abhmf.com
 E-mail: abhinfo@abhmf.com
 Architectural Builders Hardware Mfg., Inc.
 1222 Ardmore Ave., Itasca, IL 60143
 630.875.9900; FAX 800.9FAXABH (932.9224)

©2014 ABH Mfg., Inc.
 printed in USA

LR 6000 SERIES VERTICAL/HORIZONTAL
 HANDLE & BACKSET TEMPLATE

LR 6000 DOOR PREP idw