

DESIGNED SECURITY, INC. PRODUCTS PRICE LIST

EFFECTIVE APRIL 1, 2014



Access Control

Annunciators

Optical Turnstiles

Full Height Turnstiles

Anti Tailgate Devices

Accessories

DSI![®]
DESIGNED SECURITY, INC.
A Detex Company

1. All **prices quoted** in United States Dollars. Terms are: Prepay by check or cash prior to shipment or COD. Net 30 upon approved credit, or prepaid wire transfer upon approval. For cash in advance orders, remittance must be received before goods ship. **All payments must be made in U.S. Dollars. All prices are subject to change without notice.**
2. **Purchase Orders** are required with all orders and must be written, signed by an authorized party, and received in original or e-mail form.
3. Expedite Fee of 20% may be added to any custom orders needed faster than quoted lead time. It may not be possible to expedite the delivery of every custom order. Please contact DSI for information.
4. All **shipments** are FOB Factory (Bastrop, Texas) and applicable Sales and Use tax will apply.
5. A **35% deposit** is required on all Optical Turnstiles and certain custom orders, and is due with signed submittals.
6. A **crating fee** of \$200 per bollard will be charged for all Optical Turnstile orders.
7. **Non-stock items** are subject to industry standard lead times.
8. Designed Security, Inc. **warranties** the Door Management, Annunciator, Tailgate Detection and Full Height products for one (1) complete year and all of the Optical Turnstiles for three (3) complete years from date of purchase.
9. The purchaser shall **inspect the goods** upon receipt to determine that they are free of any defects or deficiencies. If the purchaser is not satisfied with the validity of the goods delivered, Designed Security, Inc. is to be advised immediately. Claims on defective products do not apply to products that have been subject to misuse (including static discharge), neglect, accident, modification, or products that have been soldered or altered. The issuing of credit or replacement of goods deemed defective is Designed Security, Inc.'s sole obligation, and in no event shall Designed Security, Inc.'s liability exceed the purchaser's original price.
10. In no event will Designed Security, Inc. be **liable** for lost profits, lost production, consequential or incidental damages arising out of, or relating to, any alleged or actual breach of warranty, negligence, strict liability in tort, delay in shipment, innocent or negligent misrepresentation, omission, or otherwise.
11. **Return Material Authorization (RMA)** must be requested within 90 calendar days from the invoice date and are subject to a 20% Restocking Fee. RMA Number will be issued if approved and must be marked on outside of shipping box and is valid for 30 days. Products returned without a valid RMA will be refused. In some cases a request for **Advanced Replacement** may be considered. If approved a separate P.O. must be received prior to shipping. Designed Security, Inc. is not responsible for return shipping charges.
12. Designed Security, Inc. is **not responsible for damage** incurred while the merchandise is in transit. The purchaser must file claims for loss or damaged goods in transit with the carrier.
13. Designed Security, Inc. reserves the right to make **product enhancement changes** without prior announcement.

ES300

ES411

ES4200

ES4300

ES440

ES450

ES4600

ES500

ES300 Series BATTERY POWERED DOOR PROP

ES300	Base unit	\$ 201.00
ES300W	Weatherized base unit	\$ 281.00
ES300 xMC65	Base unit with mortise cylinder	\$ 246.00
ES300W xMC65	Base unit with mortise cylinder and weatherized	\$ 325.00

ES411 Series DOOR PROP ALARM

ES411 - K

ES411	Door Prop Alarm			\$ 154.00
K <input type="checkbox"/>	No Key	Double Bit	DPDT	Unit Price
0	✓			\$ 00.00
1		✓		\$ 30.00
6			✓	\$ 34.00

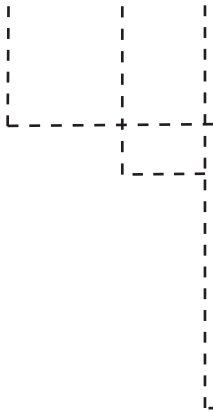
EXAMPLE		ES411
Door Prop Alarm with Double Bit Key Switch		
ES411	Door Prop Alarm	\$ 154.00
<u>K1</u>	Double Bit Key Switch	\$ 30.00
TOTAL		\$ 184.00

Legend:
K: Key Switch Option

ES300
ES411
ES4200
ES4300
ES440
ES450
ES4600
ES500

ES4200 Series DOOR MANAGEMENT ALARM (DMA)

ES4200 - K - T



ES4200	Door Management Alarm				\$ 323.00
K <input type="checkbox"/>	No Key	Double Bit	Rim with Cylinder	Rim w/o Cylinder	Unit Price
0	✓				\$ 0.00
1		✓			\$ 7.00
3			✓		\$ 186.00
4				✓	\$ 127.00
T <input type="checkbox"/>	Tamper Switch				Unit Price
0	-				\$ 0.00
1	✓				\$ 21.00

EXAMPLE		ES4200
Door Management Alarm with Rim without Cylinder and Tamper Switch		
ES4200	Door Management Alarm	\$ 323.00
K4	Rim without Cylinder	\$ 127.00
T1	Tamper Switch	\$ 21.00
TOTAL		\$ 471.00

Legend:
K: Key Switch Option
T: Tamper Switch

ES4300A Series EXIT ALARM (EA)

ES4300 - K - T

ES4300	Exit Alarm						\$ 280.00
K <input type="checkbox"/>	No Key	Double Bit	Barrel	Rim with Cylinder	Rim w/o Cylinder	DPDT	Unit Price
0	✓						\$ 0.00
1		✓					\$ 7.00
2			✓				\$ 32.00
3				✓			\$ 186.00
4					✓		\$ 127.00
6						✓	\$ 34.00
T <input type="checkbox"/>	Tamper Switch						Unit Price
0	-						\$ 0.00
1	✓						\$ 21.00

EXAMPLE		ES4300A
Exit Alarm with Barrel Key Switch and Tamper Switch		
ES4300A	Exit Alarm	\$ 280.00
K <u>2</u>	Barrel Key Switch	\$ 32.00
T <u>1</u>	Tamper Switch	\$ 21.00
TOTAL		\$ 333.00

Legend:
 K: Key Switch Option
 T: Tamper Switch

ES300
ES411
ES4200
ES4300
ES440
ES450
ES4600
ES500

ES440 Series PUSHBUTTON CONTROL

ES44□ - B□ - C□

ES44□	Pushbutton Control	Unit Price
0	1 gang painted aluminum plate	\$ 138.00
1	1 gang stainless steel plate	\$ 72.00
2	Mullion mount trim plate	\$ 108.00

B□	Shroud	Medium Mushroom	Large Mushroom	Alternate Action	Push/Pull	Key Release	Unit Price
1	✓						\$ 11.00
2		✓					\$ 28.00
3			✓				\$ 32.00
4				✓			\$ 56.00
5					✓		\$ 46.00
6						✓	\$ 96.00

C□	N/O	N/C	Time Delay Relay TDR	Pneumatic TDR	Unit Price
1	✓ ³				\$ 7.00
2		✓ ³			\$ 7.00
3	✓ ³	✓ ³			\$ 19.00
4			✓ ¹		\$ 105.00
5	✓ ³		✓ ¹		\$ 123.00
6		✓ ³	✓ ¹		\$ 123.00
7		(2) ✓ ³			\$ 19.00
8	(2) ✓ ³				\$ 19.00
9				✓ ²	\$ 210.00
10	✓ ³	✓ ³	✓ ¹		\$ 153.00

¹ Time Delay Relay includes 2 separate form C time-delayed contacts. The DPDT Relay on timer board is a UL Recognized Component

² Pneumatic Time Delay Relay includes 1 N/O and 1 N/C time-delayed contact; UL Recognized

³ 600 VAC @ 10 AMP; 24 VDC @ 2.5 AMP; UL/CSA

EXAMPLE		ES441 - B3 - C3	
Pushbutton Control with a one gang stainless steel plate, a large mushroom pushbutton with one normally open (N/O) and one normally closed (N/C) contact			
ES44 <u>1</u>	Pushbutton Control		\$ 72.00
<u>B</u> 3	Large Mushroom Pushbutton		\$ 32.00
<u>C</u> 3	N/O and N/C contacts		\$ 19.00
TOTAL			\$ 123.00

Legend:
B: Button Options
C: Contact Options

ES450 Series KEY SWITCH CONTROL

ES45□ - K □

ES45□	Key Switch Control	
0	1 gang painted aluminum plate	\$ 72.00
1	1 gang stainless steel plate	\$ 58.00
2	Mullion mount trim plate	\$ 92.00

K □	Double Bit	Barrel	Rim with Cylinder	Rim w/o Cylinder	Medico	DPDT	Unit Price
1	✓						\$ 7.00
2		✓					\$ 32.00
3			✓				\$ 186.00
4				✓			\$ 127.00
5					✓		\$ 139.00
6						✓	\$ 34.00

Note: The ES452 does not accommodate rim hardware or cylinder

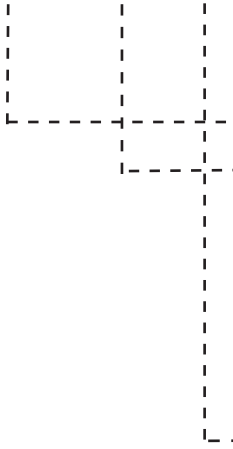
EXAMPLE		ES451	
Key Switch Control with a one gang stainless steel plate and Rim with Cylinder			
ES451	Key Switch with one gang stainless steel plate		\$ 58.00
K3	Rim with Cylinder		\$ 186.00
TOTAL			\$ 244.00

Legend:
K: Key Switch Option

ES300
ES411
ES4200
ES4300
ES440
ES450
ES4600
ES500

ES4600 Series VOICE PROMPT DOOR MANAGEMENT ALARM

ES4600 - K □ - T □



ES4600	Voice Prompt Door Management Alarm				\$ 421.00
K □	No Key	Double Bit	Rim with Cylinder	Rim w/o Cylinder	Unit Price
0	✓				\$ 0.00
1		✓			\$ 7.00
3			✓		\$ 186.00
4				✓	\$ 127.00
T □	Tamper Switch				Unit Price
0	-				\$ 0.00
1	✓				\$ 21.00

EXAMPLE	ES4600 - K1 - T0	
Voice Prompt Door Management Alarm (DMA) with Double Bit Key Switch without Tamper Switch		
ES4600A	Exit Alarm	\$ 421.00
K1	Double Bit Key Switch	\$ 7.00
T0	No Tamper Switch	\$ 0.00
TOTAL		\$ 428.00

Legend:
K: Key Switch
T: Tamper Switch

ES500 Series BATTERY OPERATED EXIT ALARM

ES500	Base unit	\$ 170.00
ES500W	Weatherized base unit	\$ 239.00
ES500 xMC65	Base unit with mortise cylinder	\$ 237.00
ES500W xMC65	Base unit with mortise cylinder and weatherized	\$ 304.00

ES5200 Series TAILGATE DETECTION SYSTEM

ES520 □ - R □

ES520□	Tailgate Detection System	
0	Standard Tailgate Unit	\$ 3,169.00
1	Standard Tailgate Unit with spacer/mounting kit	\$ 3,525.00
R □	Remote Annunciator Plate	Unit Price
0	None	\$ 0.00
1	1 gang plate	\$ 139.00
2	Mullion mount plate	\$ 155.00

EXAMPLE

ES5200 - R1

Standard Tailgate Detection System
with a one gang plate remote annunciator

ES5200	Tailgate Detection System	\$ 3,169.00
R1	One gang remote annunciator plate	\$ 139.00
TOTAL		\$ 3,308.00

Legend:
R: Remote annunciator plate

ES610 Series 4 ZONE ANNUNCIATOR

ES61□

ES61□		Unit Price
0	1 gang	\$ 228.00
1	1 gang with shunt	\$ 290.00
2	2 gang with N/O relay	\$ 333.00
3	2 gang with shunt & N/O relays	\$ 412.00
4	2 gang with supervision	\$ 323.00
5	2 gang with supervision & shunt	\$ 389.00

ES620 Series 8 ZONE ANNUNCIATOR

ES62□

ES62□		Unit Price
0	2 gang	\$ 392.00
1	2 gang with shunt	\$ 451.00
2	3 gang with N/O relays	\$ 566.00
3	3 gang with shunt & N/O relays	\$ 610.00
4	3 gang with supervision	\$ 523.00
5	3 gang with supervision & shunt	\$ 631.00

ES630 Series 12 ZONE ANNUNCIATOR

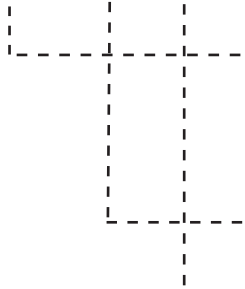
ES63□

ES63□		Unit Price
0	3 gang	\$ 512.00
1	3 gang with shunt	\$ 629.00
2	4 gang with N/O relays	\$ 981.00
3	4 gang with shunt & N/O relays	\$ 1,323.00
4	4 gang with supervision	\$ 973.00
5	4 gang with supervision & shunt	\$ 1,317.00

ES760 ES750 ES600

ES750 Series RACK CONTROL PANEL

ES75 □ - Q□□ / P□□



ES75□		Unit Price
0	1.75" x 19" Rack Control Panel	\$ 386.00
1	3.50" x 19" Rack Control Panel	\$ 456.00
2	5.25" x 19" Rack Control Panel	\$ 527.00
Q	Quantity of Options "P"	

P □□	mom. action	alt. action	momentary action with integrated LED	alternate action with integrated LED	Momentary action with incandescent bulb	alternate action with incandescent bulb	LED annun. with resistor & terminal	Engraved lens	SPST barrel key switch	rim hdw with cylinder	rim hdw w/o cylinder	audible sounder	unit price
01	✓												\$ 53.00
02		✓											\$ 53.00
03			✓										\$ 74.00
04				✓									\$ 74.00
05					✓								\$ 64.00
06						✓							\$ 64.00
07							✓						\$ 36.00
08								✓					\$ 11.00
09									✓				\$ 36.00
10										✓			\$ 174.00
11											✓		\$ 125.00
12												✓	\$ 50.00

EXAMPLE

ES751 - Q03/P02-Q02/P05 - Q02/P08

3.5" x 19" Rack Control Panel with three (3) alternate action pushbuttons,
two (2) momentary action pushbuttons with incandescent bulbs,
and two (2) engraved lenses.

ES75 <u>1</u>	Rack Control Panel	\$ 456.00
Q <u>03</u> /P <u>02</u>	3 @ \$ 53.00	\$ 159.00
Q <u>02</u> /P <u>05</u>	2 @ \$ 64.00	\$ 128.00
Q <u>02</u> /P <u>08</u>	2 @ \$ 11.00	\$ 22.00
TOTAL		\$ 765.00

Legend:

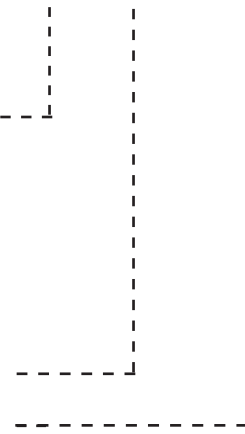
Q: Quantity of options "P"

P: Pushbutton, key switch, and sounder options

ES760 Series KNEE SPACE UNIT

ES76 □ - Q□□ / P□□

ES76□		Unit Price
0	3" x 3" x 1.6" deep housing	\$ 119.00
1	4" x 3" x 1.6" deep housing	\$ 151.00
2	5" x 3" x 1.6" deep housing	\$ 182.00
3	6" x 3" x 1.6" deep housing	\$ 214.00
4	7" x 3" x 1.6" deep housing	\$ 246.00
Q □□	Quantity of Options "P"	
P □□	Momentary action button	SPST barrel key switch
01	✓	\$ 53.00
02		✓ \$ 36.00



ES761 - Q02/P01-Q01/P02		
4" x 3" x 1.6" deep knee space unit with two (2) momentary action pushbuttons, and one (1) SPST barrel key switch		
ES761	Knee space housing	\$ 151.00
Q02/P01	2 @ \$ 53.00	\$ 106.00
Q01/P02	1 @ \$ 36.00	\$ 36.00
TOTAL		\$ 293.00

Legend:
 Q: Quantity of options "P"
 P: Pushbutton, key switch and sounder options

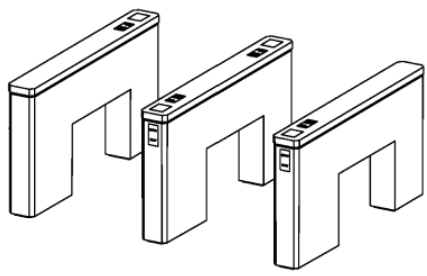
ES810
FP810
ES820
ES831
FP831
ES840
FP840
ES8500
FP8500
ES860
ES880
FP880

ES810 Series OPTICAL TURNSTILE

ES81 □ - N □

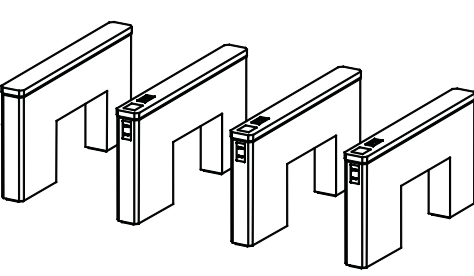
ES81□	Base configuration	Unit price
0	Single direction - first walkway consists of two (2) bollards	\$ 17,970.00
1	Bi-directional - first walkway consists of two (2) bollards	\$ 19,389.00
N □	Number of adjacent walkways	Unit price
0	Single direction adjacent	\$ 11,037.00
1	Bi-directional adjacent	\$ 12,456.00

EXAMPLE



ES811	First walkway	\$ 19,389.00
N1	One (1) adjacent bi-directional walkway	\$ 12,456.00
TOTAL		\$ 31,845.00

EXAMPLE



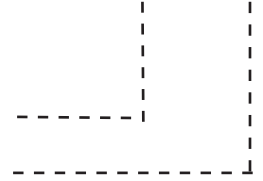
ES810	First walkway	\$ 17,970.00
N2	Two (2) adjacent bi-directional walkway	\$ 22,074.00
TOTAL		\$ 40,044.00

Legend:
N: Number of adjacent walkways

ES810 Series FLOOR PLATES

FP810 - N □

FP810	First walkway floor plate	\$ 3,750.00
N □	Number of adjacent walkways	Unit Price
	(1, 2, etc)	\$ 3,750.00



EXAMPLE		
FP810-N1		
FP810 series floor plates		
two (2) walkways		
FP810	First walkway floor plate	\$ 3,750.00
<u>N1</u>	One (1) adjacent walkway floor plate	\$ 3,750.00
TOTAL		\$ 7,500.00

Legend:
N: Number of adjacent walkway floor plates

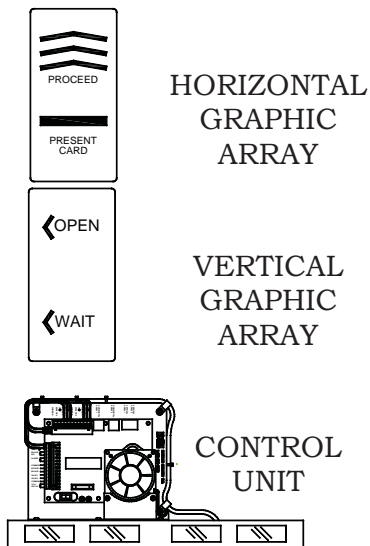
ES810 **FP810** ES820 ES831 ES840 ES8500 ES860 ES880 ES880 FP831 FP840 FP8500 FP880

ES810
FP810
ES820
ES831
FP831
ES840
FP840
ES8500
FP8500
ES860
ES880
FP880

ES820 Series OPTICAL TURNSTILE

ES82 □ - N □

ES82□	Base configuration	Unit price
0	Single direction - components	\$ 6,096.00
1	Bi-directional - components	\$ 7,224.00
N □	Number of adjacent walkways	Unit Price
(1, 2, ... etc)	Single direction - adjacent	\$ 6,096.00
(1, 2, ... etc)	Bi-directional - adjacent	\$ 7,224.00



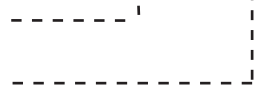
	Quantity		
	ES820	ES821	ES821
HORIZONTAL GRAPHIC ARRAY	1	1	2
VERTICAL GRAPHIC ARRAY	2	2	2
CONTROL UNIT	1	1	1

Note: all cables for connection between control unit and graphic arrays are included. 12 volt, 6 amp transformers are also provided.

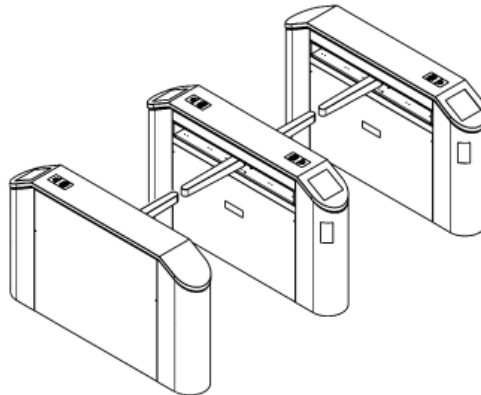
ES831 Series OPTICAL TURNSTILE WITH BARRIER ARM

ES831 - N □

ES831	Optical turnstile with barrier arm	\$ 32,000.00
N □	Number of adjacent walkways	Unit Price
(1, 2,... Etc)	Bi-directional adjacent	\$ 32,000.00



EXAMPLE



ES831	First walkway	\$ 32,000.00
N1	One (1) adjacent bi-directional walkway	\$ 32,000.00
TOTAL		\$ 64,000.00

Legend:
N: Number of walkways

ES810
FP810
ES820
ES831
FP831
ES840
FP840
ES8500
FP8500
ES860
ES880
FP880

ES831 Series FLOOR PLATES

FP831 - N□

FP831	First walkway floor plate	\$ 3,825.00
N□	Number of adjacent walkways	Unit Price
	(1, 2,... Etc)	\$ 3,825.00

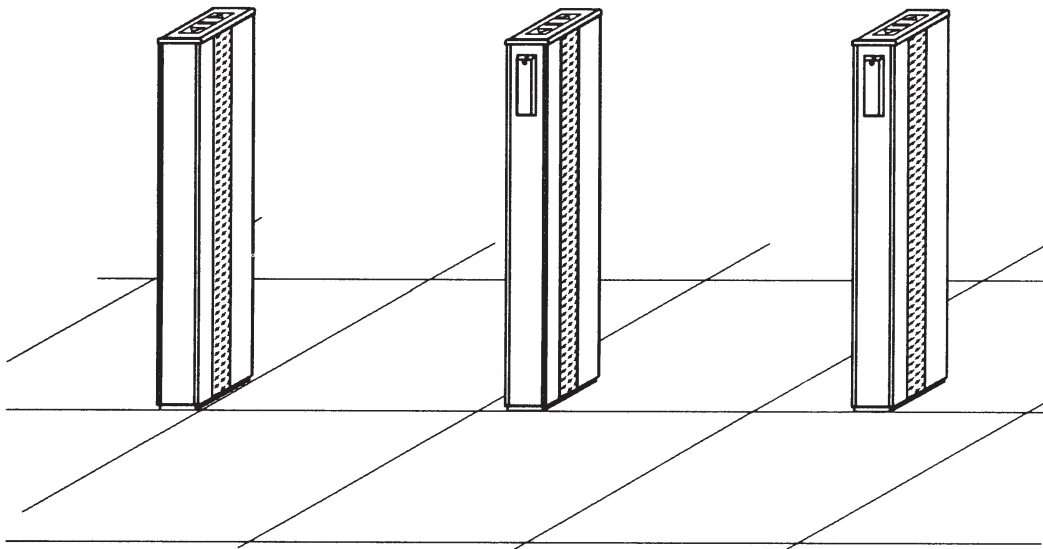
EXAMPLE	FP831-N1	
	ES831 series floor plates	
	two (2) walkways	
FP831	First walkway floor plate	\$ 3,825.00
<u>N1</u>	One (1) adjacent floor plate walkway	\$ 3,825.00
TOTAL		\$ 7,650.00

Legend:
N: Number of adjacent walkway floorplates

ES840 Series COMPACT OPTICAL TURNSTILE

ES840 - N □

ES840	First walkway consists of two (2) pedestals	\$ 6,000.00
N □	Number of adjacent walkways	Unit Price
(1, 2,... Etc)	Bi-directional adjacent	\$ 3,600.00



EXAMPLE

ES840-N1

Compact optical turnstile
two (2) walkways

ES840	First walkway	\$ 6,000.00
N1	One (1) adjacent walkway	\$ 3,600.00
TOTAL		\$ 9,600.00

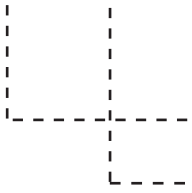
Legend:
N: Number of adjacent walkways

ES810
FP810
ES820
ES831
FP831
ES840
FP840
ES8500
FP8500
ES860
ES880FP880

ES810
FP810
ES820
ES831
FP831
ES840
FP840
ES8500
FP8500
ES860
ES880
FP880

ES840 Series FLOOR PLATES

FP84□ - N□



FP840	First walkway floor plate	\$ 1,225.00
N □	Number of adjacent walkways	Unit Price
	(1, 2,... Etc)	\$ 1,225.00

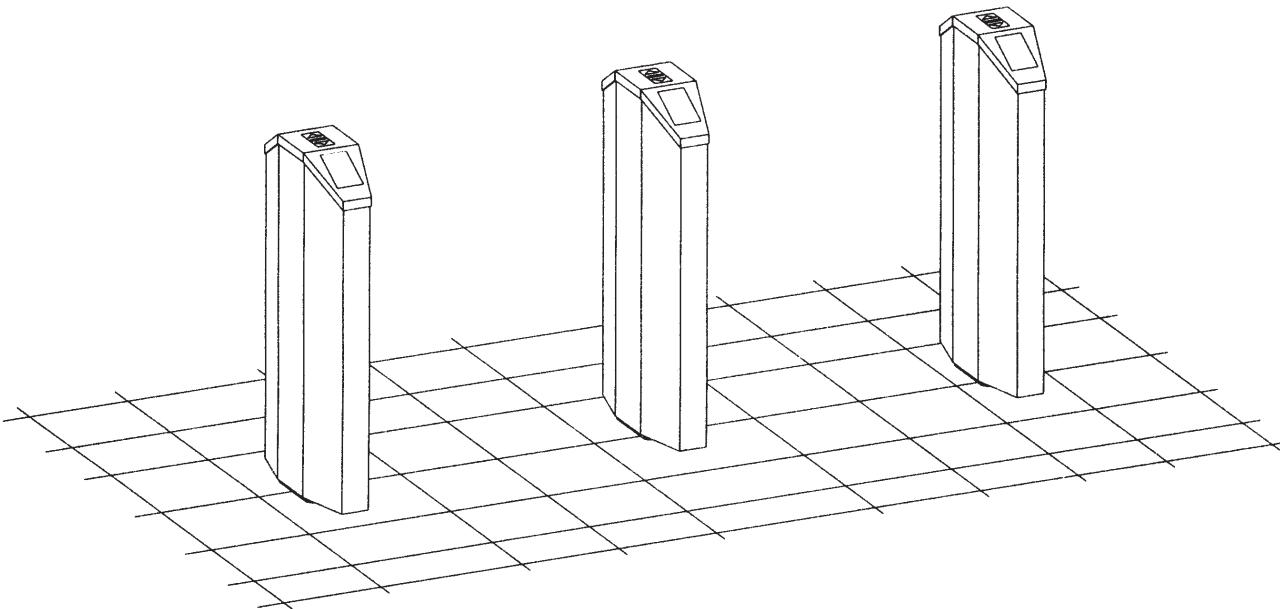
EXAMPLE	FP840-N1	
	ES840 series floor plates	
	two (2) walkways	
FP840	First walkway floor plate	\$ 1,225.00
<u>N1</u>	One (1) adjacent floor plate walkway	\$ 1,225.00
TOTAL		\$ 2,450.00

Legend:
N: Number of adjacent walkway floorplates

ES8500 Series MID-SIZED OPTICAL TURNSTILE

ES8500 - N □

ES8500	First walkway consists of two (2) pedestals	\$ 8,500.00
N □	Number of adjacent walkways	Unit Price
(1, 2,... Etc)	Bi-directional adjacent	\$ 5,500.00



EXAMPLE		
ES8500-N1		
Compact optical turnstile two (2) walkways		
ES8500	First walkway	\$ 8,500.00
N1	One (1) adjacent walkway	\$ 5,500.00
TOTAL		\$ 14,000.00

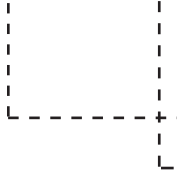
Legend:
N: Number of adjacent walkways

ES810
FP810
ES820
ES831
FP831
ES840
FP840
ES8500
FP8500
ES860
ES880FP880

ES810
FP810
ES820
ES831
FP831
ES840
FP840
ES8500
FP8500
ES860
ES880
FP880

ES8500 Series FLOOR PLATES

FP8500 - N □



FP8500	First walkway floor plate	\$ 1,225.00
N □	Number of adjacent walkways	Unit Price
	(1, 2,... Etc)	\$ 1,225.00

EXAMPLE		FP8500-N1	
ES8500 series floor plates			
two (2) walkways			
FP8500	First walkway floor plate	\$	1,225.00
<u>N1</u>	One (1) adjacent floor plate walkway	\$	1,225.00
TOTAL		\$	2,450.00

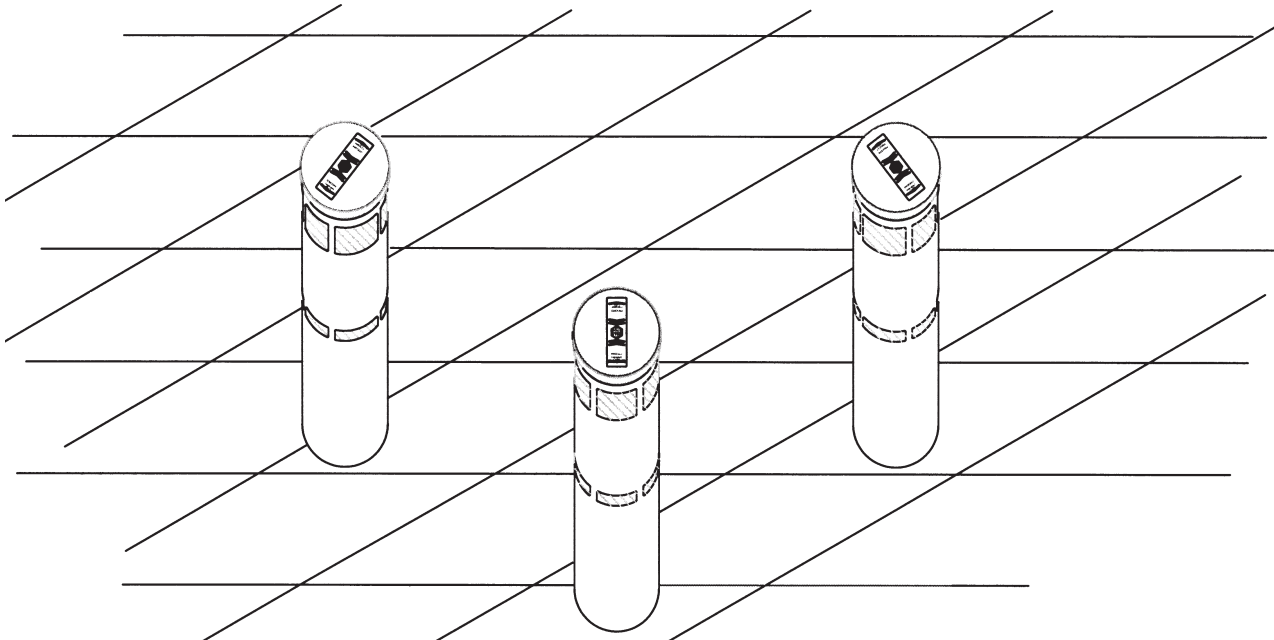
Legend:
N: Number of adjacent walkway floorplates

ES810 FP810 ES820 ES831 FP831 ES840 FP840 ES8500 FP8500 **ES860** ES880 FP880

ES860 Series CANISTER STYLE OPTICAL TURNSTILE

ES860 - N □

ES860	First walkway consists of two (2) pedestals	\$ 10,500.00
N □	Number of adjacent walkways	Unit Price
(1, 2,... Etc)	Bi-directional adjacent	\$ 6,700.00



EXAMPLE		
ES860-N1		
Compact optical turnstile two (2) walkways		
ES860	First walkway	\$ 10,500.00
<u>N1</u>	One (1) adjacent walkway	\$ 6,700.00
TOTAL		\$ 17,200.00

Legend:
N: Number of adjacent walkways

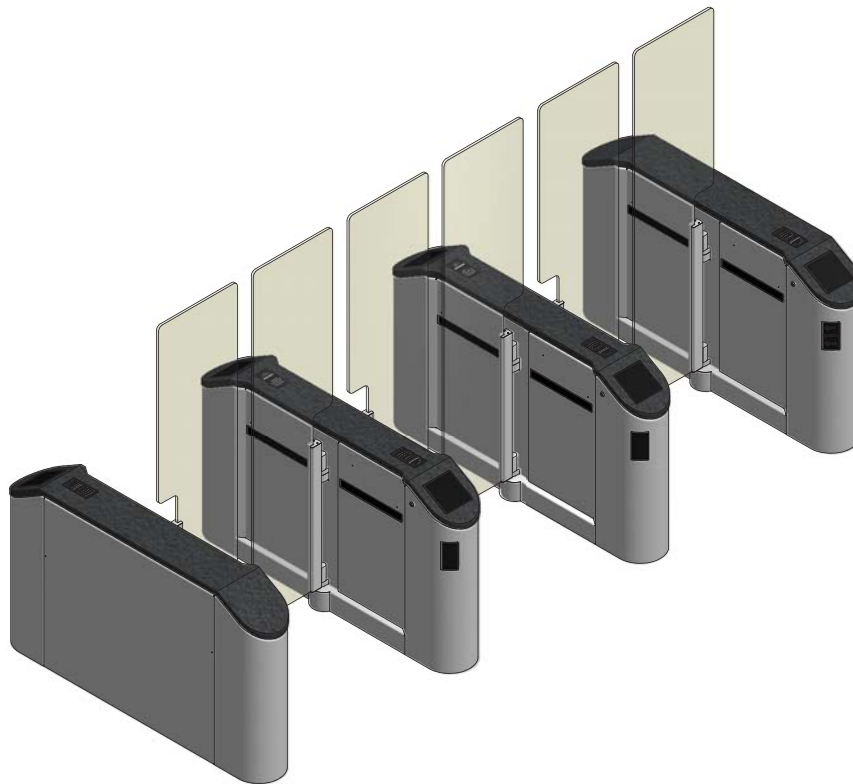
ES810
FP810
ES820
ES831
ES831
FP831
ES840
ES840
FP840
ES8500
ES8500
FP8500
ES860
ES880
FP880

ES880 Series Glass Barrier Optical Turnstile

ES880 - N □

ES880	Glass Barrier Optical Turnstile - ADA width*	\$ 42,000.00
	Glass Barrier Optical Turnstile - Non ADA width*	\$ 33,500.00
N □	Number of adjacent walkways	Unit Price
(1, 2,... Etc)	Bi-directional adjacent	\$ 29,900.00
(1, 2,... Etc)	Bi-directional adjacent - ADA	\$ 42,000.00

* Must specify ADA or NON-ADA for each walkway



EXAMPLE

ES880-N2

Glass Barrier Optical Turnstile
three (3) walkways - ADA width

ES880	First walkway - ADA width	\$ 42,000.00
N2	Two (2) adjacent bi-directional walkways - ADA Width	\$ 84,000.00
TOTAL		\$ 126,000.00

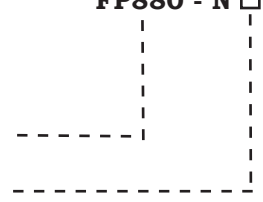
Legend:

N: Number of adjacent walkways

ES880 Series FLOOR PLATES

FP880 - N □

FP880	First walkway floor plate	\$ 3,825.00
N □	Number of adjacent walkways	Unit Price
	(1, 2, etc)	\$ 3,825.00



ES810 FP810 ES820 ES831 FP831 ES840 FP840 ES8500 FP8500 ES860 ES880 **FP880**

EXAMPLE		
FP880-N1 FP880 series floor plates two (2) walkways		
FP880	First walkway floor plate	\$ 3,825.00
N1	One (1) adjacent walkway floor plate	\$ 3,825.00
TOTAL		\$ 7,650.00

Legend:
N: Number of adjacent walkway floor plates

High Security Series Full Height Turnstiles		List Price*
DS427-FW	Single Unit; 27" Passage Width; Free Wheeling; Galvanized	\$ 3,499
DS427-S-GV	Single Unit; 27" Passage Width; Galvanized	\$ 4,041
DS427-S-PC	Single Unit; 27" Passage Width; Powder Coated	\$ 4,423
DS427-S-SS	Single Unit; 27" Passage Width; Stainless Steel	\$ 8,176
DS427-S-GV-HD	Single Unit; 27" Passage Width; Galvanized; Heavy Duty	\$ 4,793
DS427-S-PC-HD	Single Unit; 27" Passage Width; Powder Coated; Heavy Duty	\$ 5,176
DS427-S-SS-HD	Single Unit; 27" Passage Width; Stainless Steel; Heavy Duty	\$ 8,982
DS430-S-GV	Single Unit; 30" Passage Width; Galvanized	\$ 4,127
DS430-S-PC	Single Unit; 30" Passage Width; Powder Coated	\$ 4,827
DS430-S-SS	Single Unit; 30" Passage Width; Stainless Steel	\$ 8,474
DS430-S-GV-HD	Single Unit; 30" Passage Width; Galvanized; Heavy Duty	\$ 4,880
DS430-S-PC-HD	Single Unit; 30" Passage Width; Powder Coated; Heavy Duty	\$ 5,461
DS430-S-SS-HD	Single Unit; 30" Passage Width; Stainless Steel; Heavy Duty	\$ 9,280
DS439-S-GV	Single Unit; 39" Passage Width; Galvanized	\$ 6,070
DS439-S-PC	Single Unit; 39" Passage Width; Powder Coated	\$ 6,821
DS439-S-SS	Single Unit; 39" Passage Width; Stainless Steel	\$ 12,461
DS448-S-GV	Single Unit; 48" Passage Width; Galvanized	\$ 12,842
DS448-S-PC	Single Unit; 48" Passage Width; Powder Coated	\$ 12,842
DS448-S-SS	Single Unit; 48" Passage Width; Stainless Steel	\$ 17,308
DS427-T-GV	Tandem Unit; 27" Passage Width; Galvanized	\$ 9,967
DS427-T-PC	Tandem Unit; 27" Passage Width; Powder Coated	\$ 11,016
DS427-T-SS	Tandem Unit; 27" Passage Width; Stainless Steel	\$ 18,580
DS427-T-GV-HD	Tandem Unit; 27" Passage Width; Galvanized; Heavy Duty	\$ 11,472
DS427-T-PC-HD	Tandem Unit; 27" Passage Width; Powder Coated; Heavy Duty	\$ 12,523
DS430-T-GV	Tandem Unit; 30" Passage Width; Galvanized	\$ 10,055
DS430-T-PC	Tandem Unit; 30" Passage Width; Powder Coated	\$ 11,104
DS430-T-SS	Tandem Unit; 30" Passage Width; Stainless Steel	\$ 19,177
DS430-T-GV-HD	Tandem Unit; 30" Passage Width; Galvanized; Heavy Duty	\$ 11,561
DS430-T-PC-HD	Tandem Unit; 30" Passage Width; Powder Coated; Heavy Duty	\$ 12,610
DS430-T-SS-HD	Tandem Unit; 30" Passage Width; Stainless Steel; Heavy Duty	\$ 20,786
Full Height ADA Gates		
DS336-ADA-GV	Manual Passage Gate; 36" Clearance; Galvanized	\$ 3,672
DS336-ADA-PC	Manual Passage Gate; 36" Clearance; Powder Coated	\$ 3,848
DS336-ADA-SS	Manual Passage Gate; 36" Clearance; Stainless Steel	\$ 5,582
DS336-ADA-GV-HD	Manual Passage Gate; 36" Clearance; Galvanized; Heavy Duty	\$ 3,895
DS336-ADA-PC-HD	Manual Passage Gate; 36" Clearance; Galvanized; Powder Coated	\$ 4,072
Full Height Aluminum Turnstiles		
DSP-60	Lexan Polycarbonate Arms; Weather Resistant; 30" Clearance	\$ 16,964
DST-80	Single Unit; Ovaline Arms; Tamper Resistant; 30" Clearance	\$ 8,066
DST-80-Tandem	Tandem Unit; Ovaline Arms; Tamper Resistant; 30" Clearance	\$ 16,135
DSRD70 Door	Revolving Door; Aluminum; 30" Clearance	\$ 38,644
DSWS500	Matching Gate for DSRD70	\$ 3,848

Full Height Turnstiles Options and Accessories

MCH	Manual Control Head	Included
ECH	Electronic Control Head	\$ 505
PS	Proximity Sensor	\$ 390
HPS	Home Position Switch	\$ 26
KO	Key Override	\$ 250
SI	Serial Interface Port Converter	\$ 387
CRP	Card Reader Mounting Plates	\$ 60
EC	End Cap for DS427 & DS430 Units (52 single/104 tandem)	\$ 2
EC-HD	End Cap for DS439 & DS448 Units (52 single/104 tandem)	\$ 2
HG	Heel Guards for DS427 & DS430 Units	\$ 17
HG-HD	Heel Guards DS439 & DS448 Units	\$ 35
FC	Full Canopy	\$ 2,225
C-PC	Half Canopy - Painted	\$ 229
C-SS	Half Canopy - Stainless	\$ 383
HC	Hinged Cover	\$ 361
SC	Split Cover	\$ 361
CWP	Cold Weather Package	\$ 540
LOB	Lock-Out Bar (out of service lock)	\$ 123
DS-BP-GV	Galvanized Base Plate	\$ 1,200
PB	Full Panic Bar with Reach Prevention Mesh	\$ 723
MDO	Motorized Door Opener	\$ 4,000
ADA BUTTON	ADA Placard Button & Mounting Case	\$ 270
PC	Powder Coating standard colors: black, silver; almond	No Charge
PCG + (COLOR DESIGNATOR)	Powder Coating over Galvanizing	\$ 745
PCS + (COLOR DESIGNATOR)	Special Powder Coating Colors	call for pricing
SS316	316 Stainless Steel Upgrade	call for pricing
DCP-S	Single Push Button; installed on site	\$ 60
DCP-D	Double Push Button; installed on site	\$ 81
WRR	Wireless Remote Receiver	\$ 201
WKF-1B	Wireless Key Fob Transmitter (1 button)	\$ 140
WKF-2B	Wireless Key Fob Transmitter (2 button)	\$ 180
CA-T	Basic One Token Systems	\$ 528
CA-M	Multi-Coin Acceptor System for Unit	\$ 1,170

*** Typical discounts do not apply to this product line. Call factory for quote**

Surface Mount Boxes

S1	Surface mount box - 1 gang	----- \$ 45.00
S2	Surface mount box - 2 gang	----- \$ 51.00
S3	Surface mount box - 3 gang	----- \$ 57.00

Power Supplies

PS/DC12	Plug-in regulated 1000mA - LED power indicator	----- \$ 31.00
PS/AC16	Plug-in transformer. LED and basic surge protection	----- \$ 16.00

Door Contacts

DC/HS30	Hidden wire - hidden screw - surface mount	----- \$ 6.00
DC/SD80	Steel door contact - 1" diameter - magnet	----- \$ 7.00

Extra Keys

K1	Double Bit Key - Set of two	----- \$ 9.00
K2	Barrel Key - Set of two	----- \$ 11.00
K3	Rim Cylinder Key - Each	----- \$ 9.00
K5	Medeco Key - Each	----- \$ 13.00
K6	DPDT Key - Set of two	----- \$ 7.00

Locking Arm Option (ES831 Series)

LA ----- \$ 2,500.00

Visitor Badge Return Option (All Turnstile Models)

VBR ----- \$ 2,500.00

Voice Module Option (All Turnstile Models)

VMOT ----- \$ 2,000.00

Card Reader Mounting (First reader included in Optical Turnstile Cost)

CRM ----- \$ 250.00

Random Search Option (All Turnstile Models)

RS ----- \$ 2,000.00

Visitor Bar Code Reader (ES810, ES831, ES880 Series)

VBCR ----- \$ 6,500.00

Power Supply for ES831

PS/DC24 ----- \$ 650.00

Power Supply for ES880

PS/24-10 ----- \$ 750.00

Battery Backup for ES880 (two required)

PS/24-10 Battery ----- \$ 79.00

Battery Harness for ES880

PS/24-10 Battery Harness ----- \$ 28.00



DESIGNED SECURITY, INC.

A Detex Company

1402 Hawthorne Street
Bastrop, Texas 78602
Phone: 800.272.3555
Phone: 512.321.4426
Fax: 512.321.9181
Email: dsi@dsigo.com
www.dsigo.com