



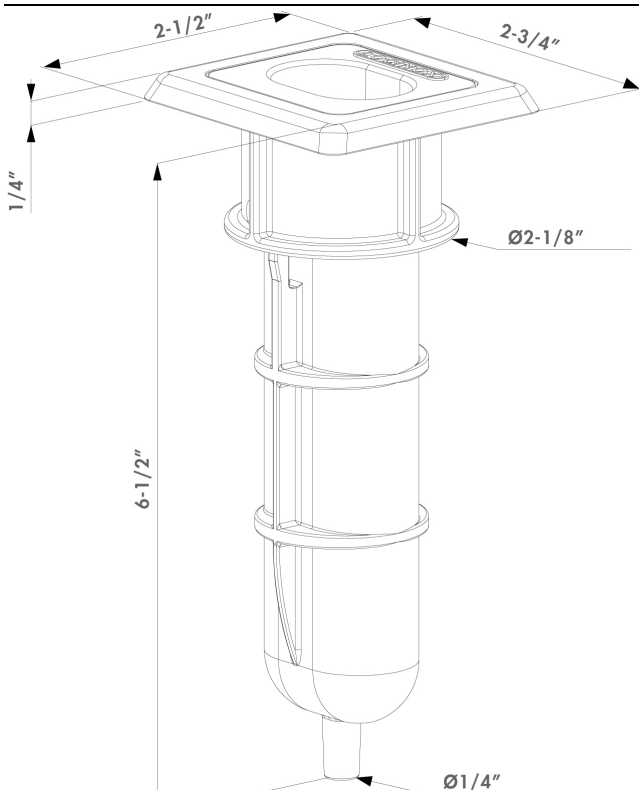
# ECONOMIC GROUND CATCH FOR DROP BOLT

Item No. EGS

Economic ground catch/drop bolt receiver for drop bolts with maximum bolt of 3/4". With draining hole.



- Simple and economic In-ground catch designed to put in concrete
- Without stop plate
- Hot-dip galvanized base-plate with polypropylene catcher
- For drop bolts with a maximum bolt diameter of 3/4"



To be able to serve you better, Locinox uses cookies. If you continue to use our site you agree to the use of these cookies. [Hide](#) [More information](#)