



# VINCI - SURFACE MOUNTED MECHANICAL CODE LOCK

Item No. LMKQV2



High quality mechanical code lock for swing gates with aluminum housing and stainless steel mechanism. This lock is 100% mechanical, so no batteries or electricity are required, which makes it very easy to equip any gate with access control. The dead bolt is used to over ride the code panel and secure the gate. The latch and dead bolt have 3/4" continuous adjustment to allow perfect latching / locking of the mechanism. A stainless steel throw of 7/8" guarantees a secure locking. Ships standard with the Club handle pair. The latch gap required is keep dependent, but the standard and security keeps require a 1-1/4" latch gap.

- ISO 9227 KTL / E-coated lock box withstands 1000 hours of salt spray test
- Operational code panel on both sides
- Independent entrance and exit codes
- Polyamide rain and dust cover
- Easy and fast set-up or modification of the access codes
- With adjustable rollerbolt for easy closing
- Extremely strong and user-friendly mechanism
- Automatic code reset after opening by means of the handle
- Anti-code detection with integrated security press plate
- Interchangeable with all Locinox locks

To be able to serve you better, Locinox uses cookies. If you continue to use our site you agree to the use of these cookies. [Hide](#) [More information](#)

### AVAILABLE IN FOLLOWING RAL-COLORS



ZILV



RAL 6005



RAL 6009



RAL 9005

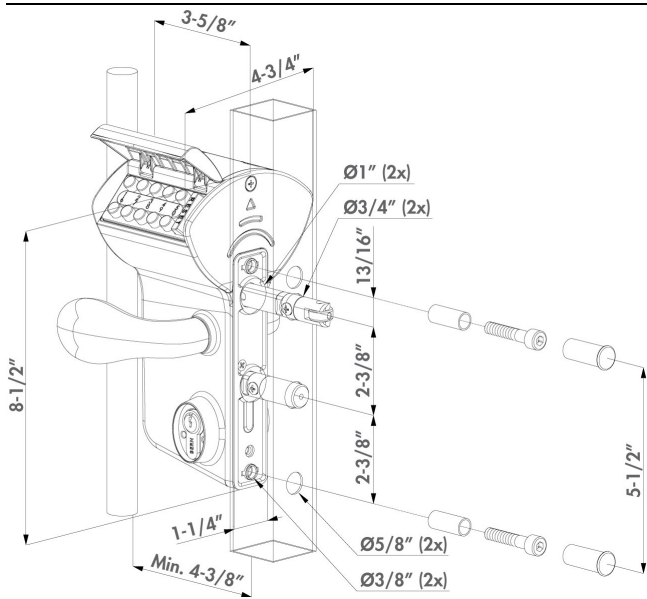


RAL 7016



RAL 9010

### FEATURES



To be able to serve you better, Locinox uses cookies. If you continue to use our site you agree to the use of these cookies. [Hide](#) [More information](#)