



SURFACE MOUNTED US MORTISE CYLINDER GATE LOCK (USA)

Item No. LUKYJ5



Excellent gate lock with aluminum housing and stainless steel mechanism. Specially developed to use with a standard 1-1/8" Mortise cylinder. Comes standard with 5pin keyed alike or keyed different (drilled 6pin). The latch and dead bolt have 3/8" continuous adjustment to allow perfect alignment of the locking mechanism. A stainless steel throw of 7/8" guarantees secure locking. Black lock standard provided with 3006FA handle (zamac), silver comes with aluminum handle (3006M).

- ISO 9227 KTL / E-coated lock box withstands 1000 hours of salt spray test
- Gate Lock with double cylinder dead bolt. Designed for 1-1/8" Mortise profile cylinder
- Fixing cylinder inch thread 8/32'
- Easy left or right changing of the self-latching daybolt
- Throw of the dead bolt, 7/8" in 1 turn of the key
- Key-operated self-latching bolt, allows Free Exit application
- Adjustment of the bolts up to 3/8" continuous without removing the lock
- 4-hole mounting with two hex head socket screws
- Interchangeable with all Locinox locks
- The lock box requires a 3-3/8" spacing to the first picket, fitting nicely into most gates

To be able to serve you better, Locinox uses cookies. If you continue to use our site you agree to the use of these cookies. [Hide](#) [More information](#)

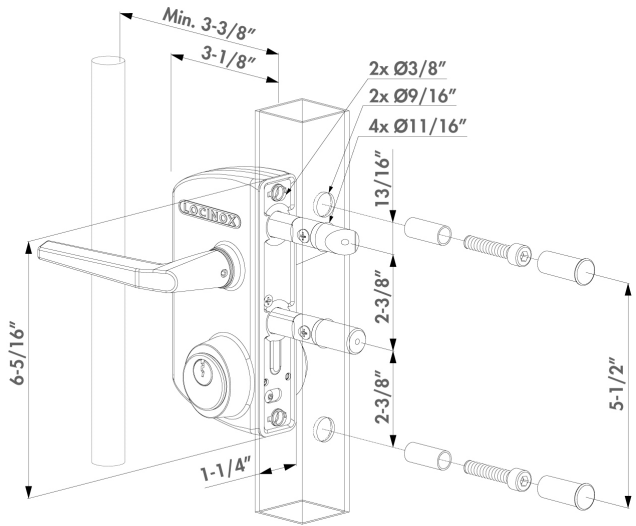


ZILV



RAL 9005

FEATURES



To be able to serve you better, Locinox uses cookies. If you continue to use our site you agree to the use of these cookies. [Hide](#) [More information](#)