



SURFACE MOUNTED ELECTRIC STRIKE

Item No. MODULEC-SA-



Electric Strike for surface mounted locks. Fast and easy installation thanks to the Quick-Fix. Easily interchanged with the SA keep. Can be connected to both 12V - 24V and AC/DC. Modulec-SA is available in two versions: E (Emissa - Fail Close) and R (Ruptura - Fail Open).

- Tested up to 500 000 movements
- Fast and easy fixation with Quick-Fix
- 660 lbs. holding force on the latch bolt
- Same drilling pattern as SA, SH and SM keeps
- Easy left or right hand changing
- Corrosion-resistant: black anodized housing
- Adjustable for profiles: 1-1/2" to 2-1/2"
- Voltage: 12V-24V AC/DC
- Consumption: 12V - 1,25A / 24V - 0,62A
- Power: 15W

AVAILABLE IN FOLLOWING RAL-COLORS



ALUM



RAL 6005



RAL 7016

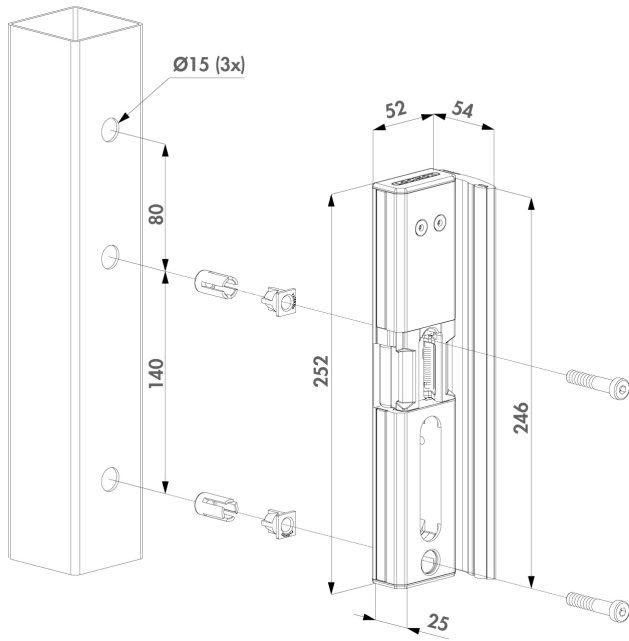


RAL 9005

FEATURES



To be able to serve you better, Locinox uses cookies. If you continue to use our site you agree to the use of these cookies. [Hide](#) [More information](#)



To be able to serve you better, Locinox uses cookies. If you continue to use our site you agree to the use of these cookies. [Hide](#) [More information](#)